

Gigavent Installation Instructions

IMPORTANT:

The vent control is NOT suitable for use at temperatures exceeding 60C (140F). The window or lid must never be LOCKED while the vent control is installed. Once the cylinder (= the rib tube) in the control has been removed, then the window may be locked.

COMPONENTS: (see fig. 1)

1. **Cylinder** (rib tube) - Installation see below
2. **Piston rod** - silverfish solid rod sticking out of the cylinder.
3. **Spring and shock absorber** - May be turned all around / facing the other way.
4. **Fitting brackets** - May also be turned around / facing the other way
5. **Shaped arms** - v-form, each with 3 locks (#8)
6. **Straight arms**
7. **Relief bolt** - for installation assistance (Remove before fitting the cylinder in the same spot)
8. **Locks** - named A B C for deciding the opening height

YOUR OPTIONS:

Positioning your cylinder

I at the wall / outside the vent-opening: see fig. 2+5

II inside the ventilation opening: see fig. 4+6

Opening height / lifting power

pos. A = 48 cm lifting 15 kg see fig. 1 pos.

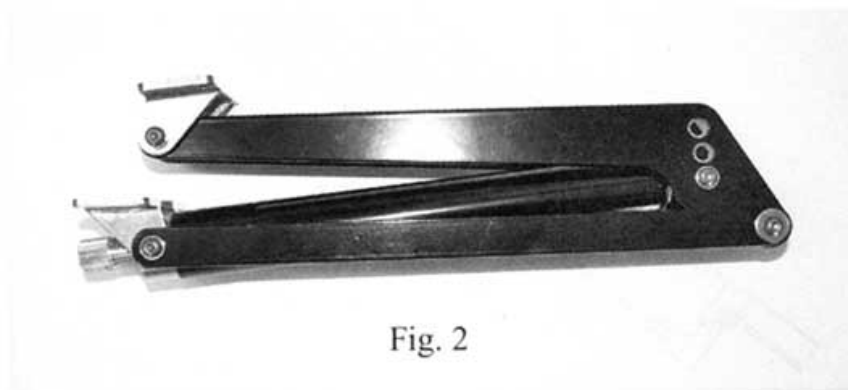
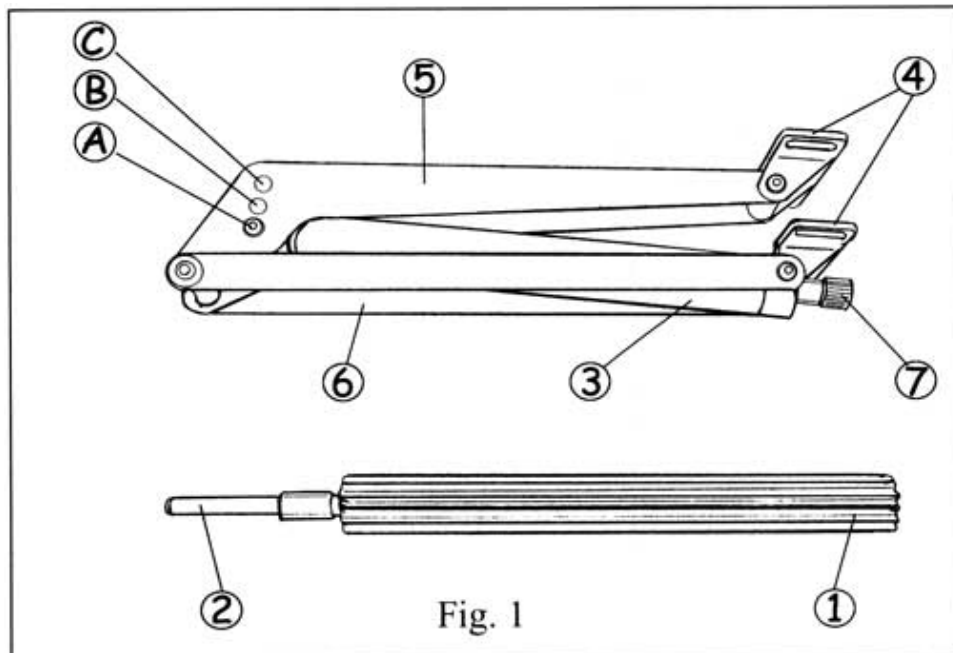
B = 40 cm lifting 22 kg see fig. 1 pos.

C = 30 cm lifting 30 kg see fig. 1

The window MUST be able to move freely up to the chosen height. If not, both the window and the opener may get damaged.

Weight of the window

Usually the vent control carry half the weight of the window, while the other half rest onto the hinges. Meaning that if a window weighs up to 30 kg, it may be open end up 48 cm (use lock A), and a window weighing up to 44 kg may be open end up to 40 cm (use lock B), or if a window weighs up to 60 kg it may be open end up to 30 cm (using lock C).



Fitting brackets / options

Can be turned in the most favorable direction with regard to fitting it onto the frame + sill.

Adjusting start-opening

Twist the cylinder (rib-tube) on until 1 cm (1/2") of its own thread is still visible. If the start-opening temperature is not as desired, you may twist it a bit further. One turn = 0,5C/1F, and turning clockwise = earlier opening start, while anti-clockwise = later opening start. Adjustable anywhere between 17C and 25C.

VARYING OPENING HEIGHTS:

Having more than one vent control in the same house/ room? Please notice that the temperature may vary significantly within even short distances - f.i. between floor and ceiling, between sun and shadow, between close at a window and in the centre of the room.

MAINTENANCE:

Grease ALL moveable connections + the piston rod at least once a year using acid free oil or teflon spray.

INSTALLATION:

1. Firstly you will have to choose in which direction you want the spring/shock absorber - and later the cylinder- to face (see fig. 5+6). If it does not by delivery face in the desired direction, then you yourself can undo it and turn it a 180 (see fig. 2 + 3 + 4) before refastening it.
2. When reassembling you will have to choose which of the 3 locks (A-B-C) to use for fastening the arms (= deciding your opening height).
3. Now it is time to hold the control up against the place where you want it to be installed.
4. Turn the relief bolt (relieves the spring load during .4 installation) until the arms all by themselves stay in the desired position for being fastened. Now the brackets can be fastened to the frame and the sill (see fig. 5 + 6), while the window or the lid is kept closed. Notice : the arms closest to the window should be parallel to it (see fig 5 + 6).
5. Now it is time to install the cylinder (rib tube), but this cannot be done until the relief bolt has been removed. If the cylinder is warm already (or has .5 been warm), then the piston rod has started moving outwards. You then need to open the window/lid by hand, just enough for the cylinder thread to catch the thread inside the spring/shock absorber!

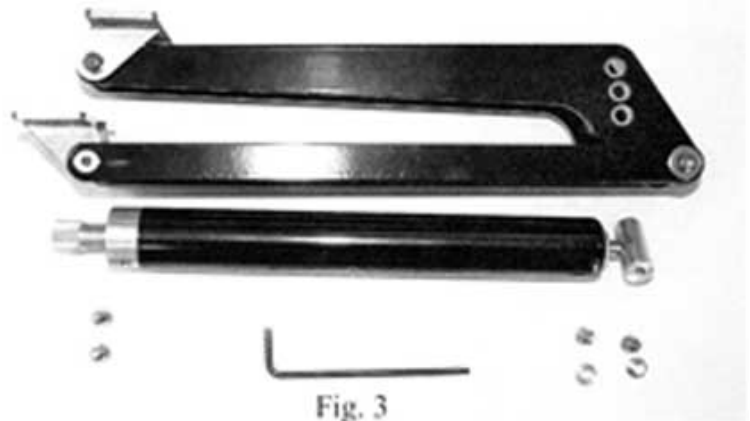


Fig. 3

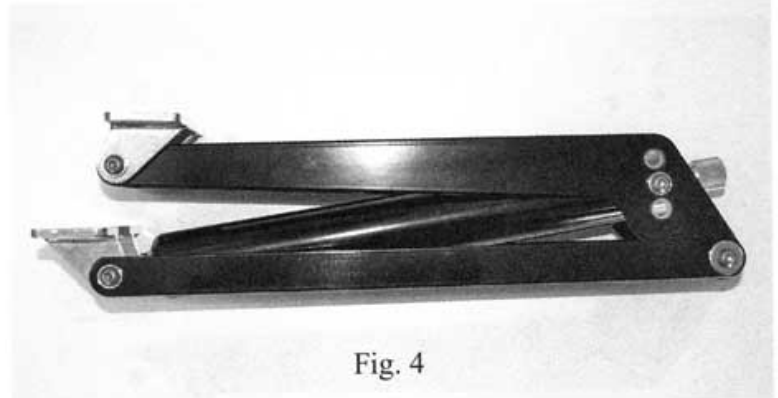


Fig. 4

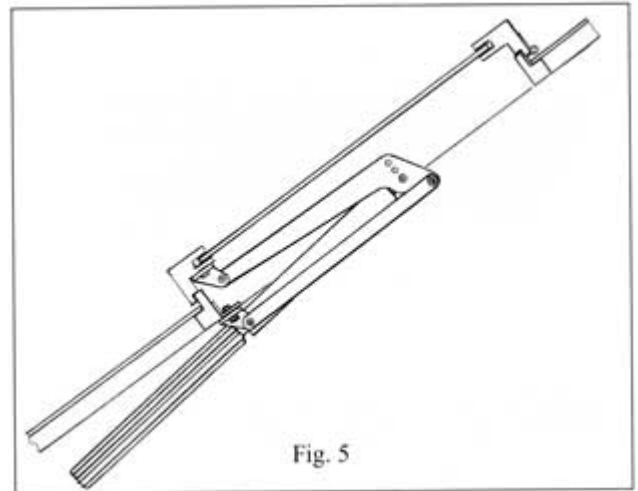


Fig. 5

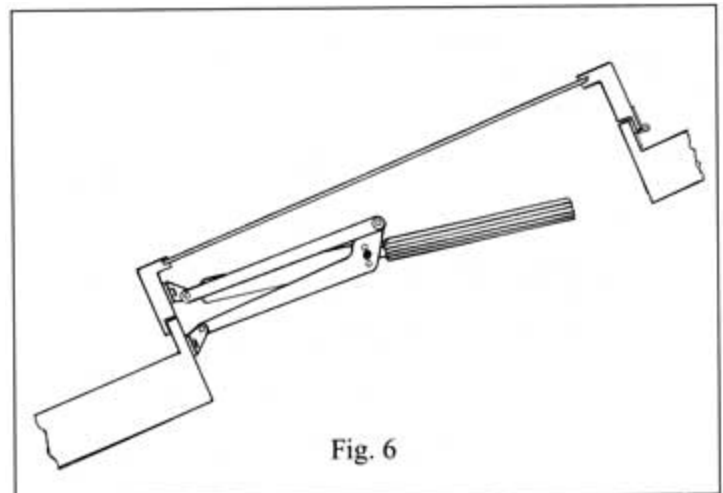


Fig. 6