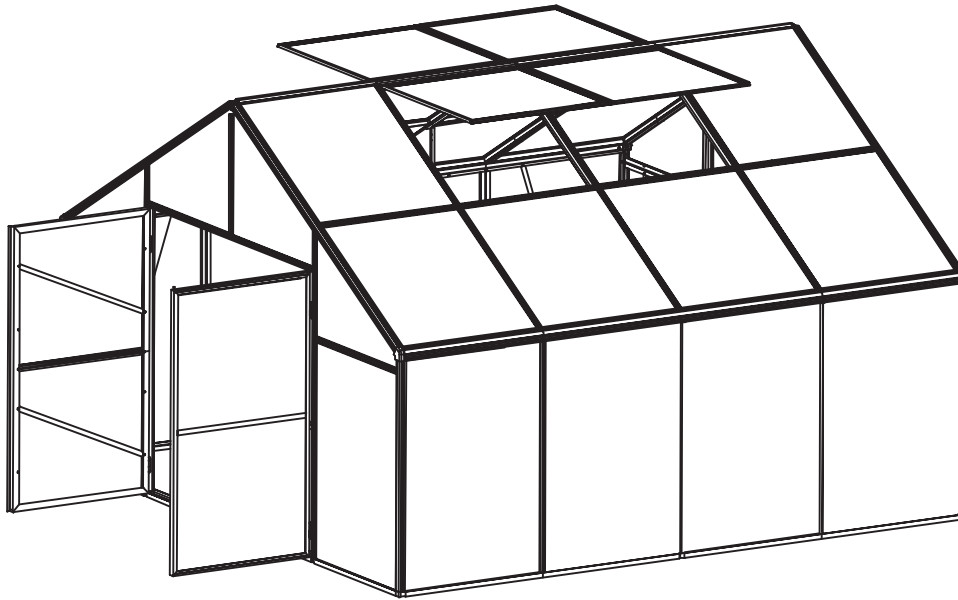


GROW MORE Greenhouses

Assembly Instructions



MODEL: GM13

GREENHOUSE SIZE: 13' 3 7/8"L x 13' 3 7/8"W x 8' 11 1/2"H
406cm L x 406cm W x 273cm H

EXTENSION SIZE: 6' 6 3/4"L x 13' 3 7/8"W x 8' 11 1/2"H
200cm L x 406cm W x 273cm H

PLEASE READ INSTRUCTIONS CAREFULLY BEFORE ASSEMBLY

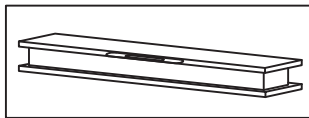
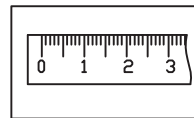
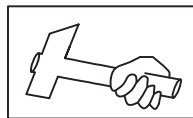
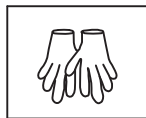
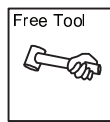
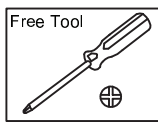
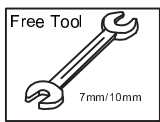
Item No.	Model No.	Packing List				
		AL No.1	AL No.2	AL No.3	PC No.1	PC No.2
2553200	GM13	1CTN <input type="checkbox"/>	1CTN <input type="checkbox"/>	1CTN <input type="checkbox"/>	1CTN <input type="checkbox"/>	2CTNS <input type="checkbox"/>
2553250	GM13 ext			1CTN <input type="checkbox"/>		1CTN <input type="checkbox"/>

CONTENTS

1. Assembly Advice	Page 1
2. Product Features	Page 1 - 2
3. Parts List	Page 3 - 6
4. Base Assembly	Page 7 - 10
5. Door Assembly	Page 11 - 13
6. Roof Vent Assembly	Page 14
7. Framework & Panel Assembly	Page 15-32

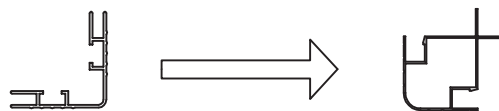
Assembly and Maintenance Advice

1. For safety purposes, we strongly recommend that this product is assembled by at least two people.
2. Some components have sharp metal edges. Please be careful when handling metal components. Please wear gloves, shoes and safety goggles during assembly.
3. Lay all of the components on a soft carpet or blanket to avoid any scratches or damages.
4. DO NOT climb or stand on the roof. Heavy articles should not be leaned against the greenhouse.
5. Keep the roof and gutter clear of snow, dirt & leaves. Allowing snow to build up on the roof may damage the product.
6. Unlike steel, if the paint finish is scratched this will not harm the aluminium underneath.
7. When your product needs cleaning, use a mild detergent solution and rinse with cold clean water. Do not use acetone, abrasive cleaners or strong detergents to clean the panels.

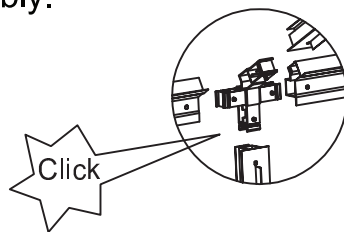


Functions and Features:

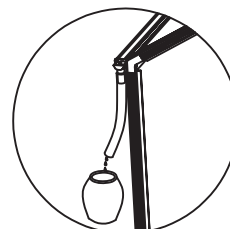
1. Compared with traditional greenhouses this exciting product features many significant improvements. The hollow box profile aluminium framing is much stronger than other greenhouses and it can withstand much greater pressure.



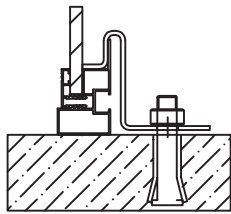
2. Easy and fast assembly.



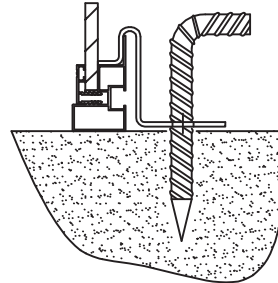
3. The strong two part eaves beam includes an integral gutter. Downpipes are also included as standard so you can collect rainwater.



- The greenhouse can be easily extended at any stage in 2m long sections as detailed in the table of Front Page.
- Base anchor brackets are included as standard with expanding bolts to ensure a secure fixing into concrete or paving. Alternatively, you can use the brackets to fix into a timber base with wood screws (not provided).

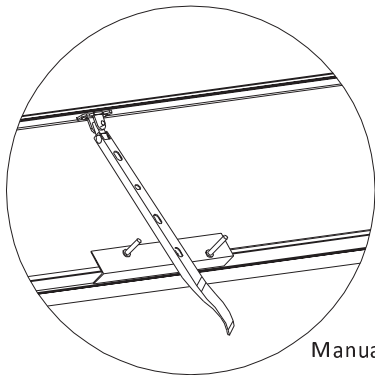


Expansion bolt in concrete

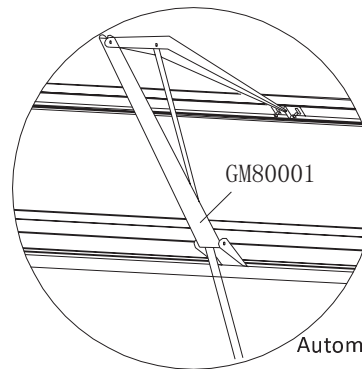


Steel pegs in soil

- Manual window handles are included as standard with the roof vents. If required, automatic roof vent openers are available as an inexpensive optional extra.

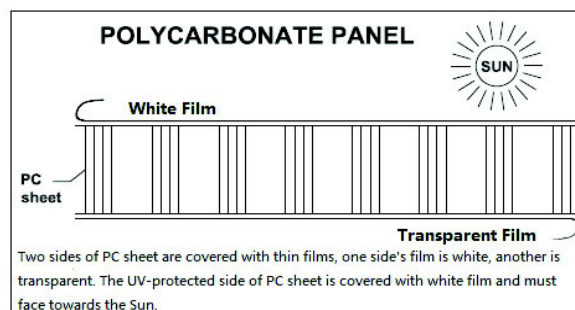


Manual opener











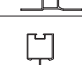
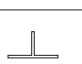


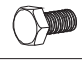



Automatic opener

- Please ensure the roof vents are not installed into the end roof bays of the greenhouse as this is where you need the bracing.
- Each Polycarbonate Panel comes with UV protected properties. Therefore, please ensure the white film is facing outward towards the sun (remove the film before installing into aluminium channel).



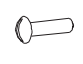


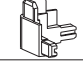

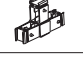
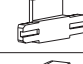


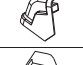
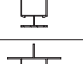


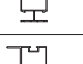
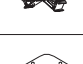
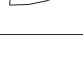
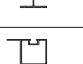

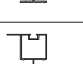
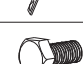

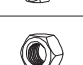
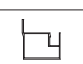

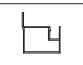
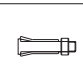




ALU. Box No.1



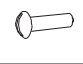

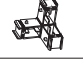
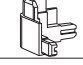

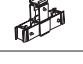
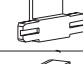



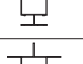


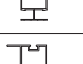


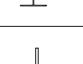
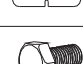


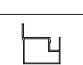
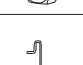
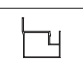
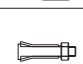
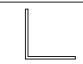


Door Assembly

PART	NO.	QTY.
	L18A	2
	L18B	2
	L18C	1
	L18D	1
	L18E	2
	L18F	1
	L16A	1
	L16B	1
	L16C	1
	L17	1
	L05G	4
	L05H	4
	J	12
	S01 M6X10	18
	M01 M6	18
	Z01 φ5X15	24

Front Wall Assembly

PART	NO.	QTY.	PART	NO.	QTY.	PART	NO.	QTY.
	L01D	1		A	1		Z02 φ4X16D	6
	L01B	1		B	1		J03R/L	1/1
	L01C	1		C	2		J04	2
	L01E	1		D	1		J01	1
	L03E	1		E	1		J02R/L	1/1
	L03F	1		F	1		J08	2
	L04A	1		W01	3			
	L04B	2		W04	1			
	L04C	1		S01 M6X10	25			
	L05A	2		M01 M6	25			
	L08A	2		W05	2			
	L08B	1		S03 M8X60	2			














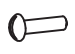


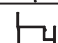









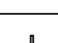
Back Wall Assembly

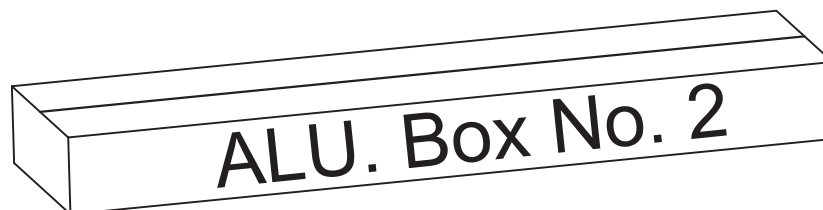
PART	NO.	QTY.	PART	NO.	QTY.	PART	NO.	QTY.
	L01A	2		A	1		Z02 φ4X16D	6
	L01B	1		B	1		J03R/L	1/1
	L01C	1		C	2		J04	2
	L02E	1		D	1		J01	1
	L03C	1		E	1		J02R/L	1/1
	L03D	1		F	1		J08	2
	L04B	4		W01	3			
	L05A	2		S01 M6X10	30			
	L05B	2		M01 M6	30			
	L08A	2		W05	4			
	L08B	1		S03 M8X60	4			
	L14	1						



ALU. Box No.2














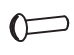













2 Sections Assembly



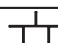
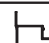














PART	NO.	QTY.	PART	NO.	QTY.
	L02A	2		W06	4
	L02B	2		W08	2
	L04B	2		W08A	2
	L05B	2		S01 M6X10	42
	L05C	2		S02 M6X16	4
	L05D	2		M01 M6	46
	L06	1		Z02 φ4X16D	12
	L07	2		Z03 φ5X30	6
	L08B	2		Z04 φ4X10	8
	L09	2		W05	4
	L15A	2		S03 M8X60	4
	L19	4			
	L20	2			
	L21	2			
	L04E	2			
	L22	3			

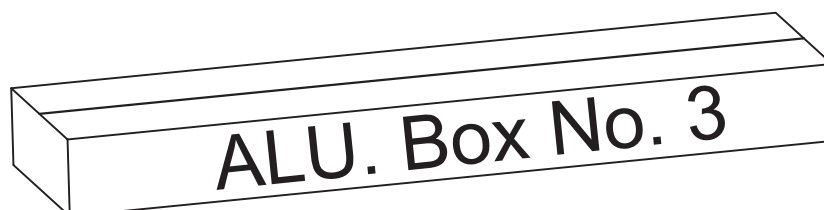


ALU. Box No.3

Middle Sections Assembly


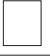
PART	NO.	QTY.	PART	NO.	QTY.
	L02A	2		W06	4
	L02B	2		W08	2
	L04B	2		W08A	2
	L05B	2		S01	42
				M6X10	
	L05C	2		S02	4
				M6X16	
	L05D	2		M01	46
				M6	
	L06	1		Z02	12
		$\phi 4 \times 16 D$			
	L07	2		Z03	6
				$\phi 5 \times 30$	
	L08B	2		Z04	16
				$\phi 4 \times 10$	
	L09	2		W05	4
	L15A	2		S03	4
				M8X60	
	L19	4			
	L20	2			
	L21	2			
	L04E	2			
	L22	3			

PART	NO.	QTY.
	L03A	2
	L03B	2
	L03K	2
	L08A	2
	L05E	2
	L05F	4
	W01	2
	G	2
	H	1
	K	2
	M	2
	S01	14
	M01	14
	J04	2
	J05	1
	J06	2
	W05	2
	S03	2








PC Box No. 1






Door Assembly

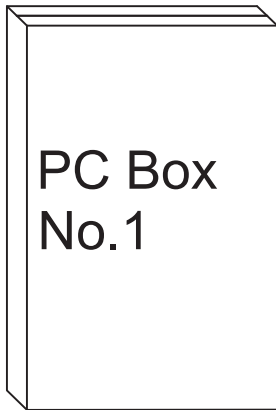
PART	NO.	QTY.
	Y11	2
	Y12	2

Front Wall Assembly

PART	NO.	QTY.
	Y1	1
	Y2	2
	Y4	1
	Y5	1
	Y13	1




Back Wall Assembly

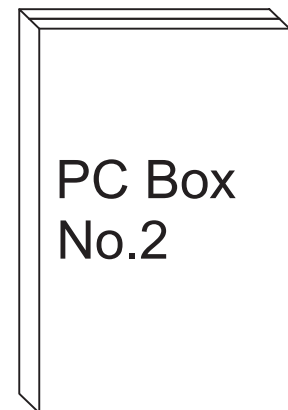
PART	NO.	QTY.
	Y1	1
	Y2	4
	Y3	1
	Y4	1
	Y8	1

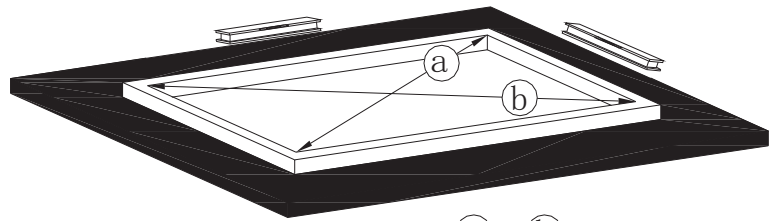
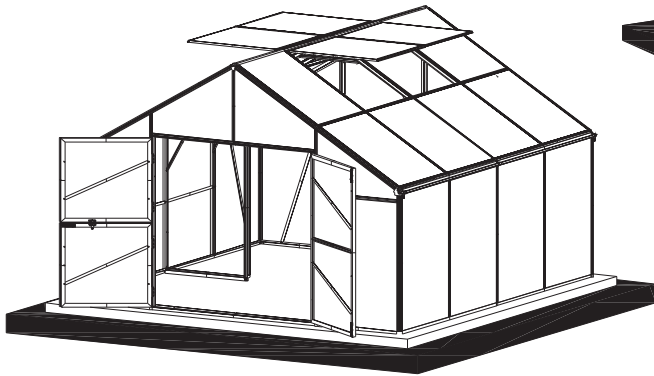


PC Box No. 2

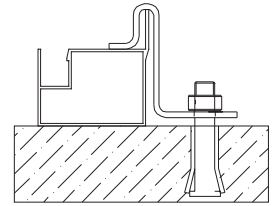
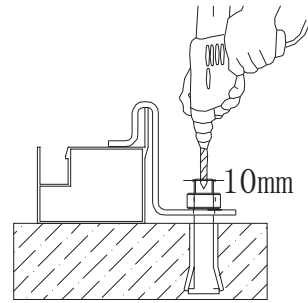
2 Sections Assembly

PART	NO.	QTY.
	Y6	4
	Y7	6
	Y10	2



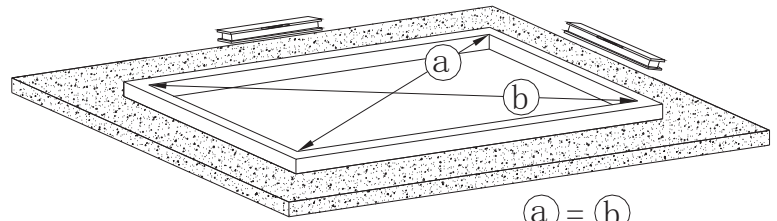
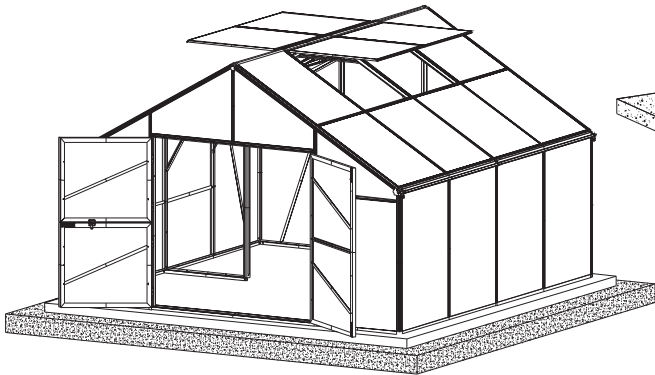


$a = b$

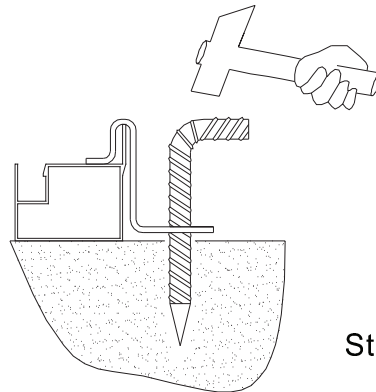


Expansion bolt
in concrete

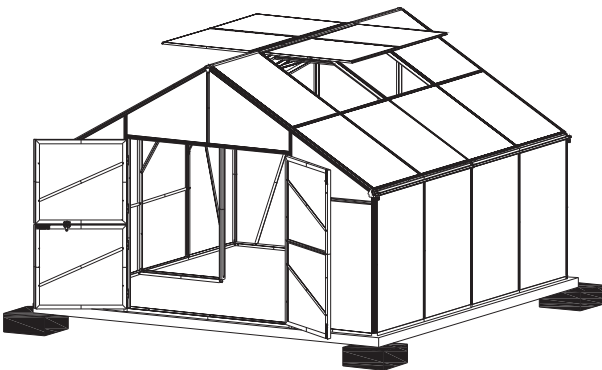
It is essential the dimensions $a + b$ are the same to ensure the base is square.



$a = b$



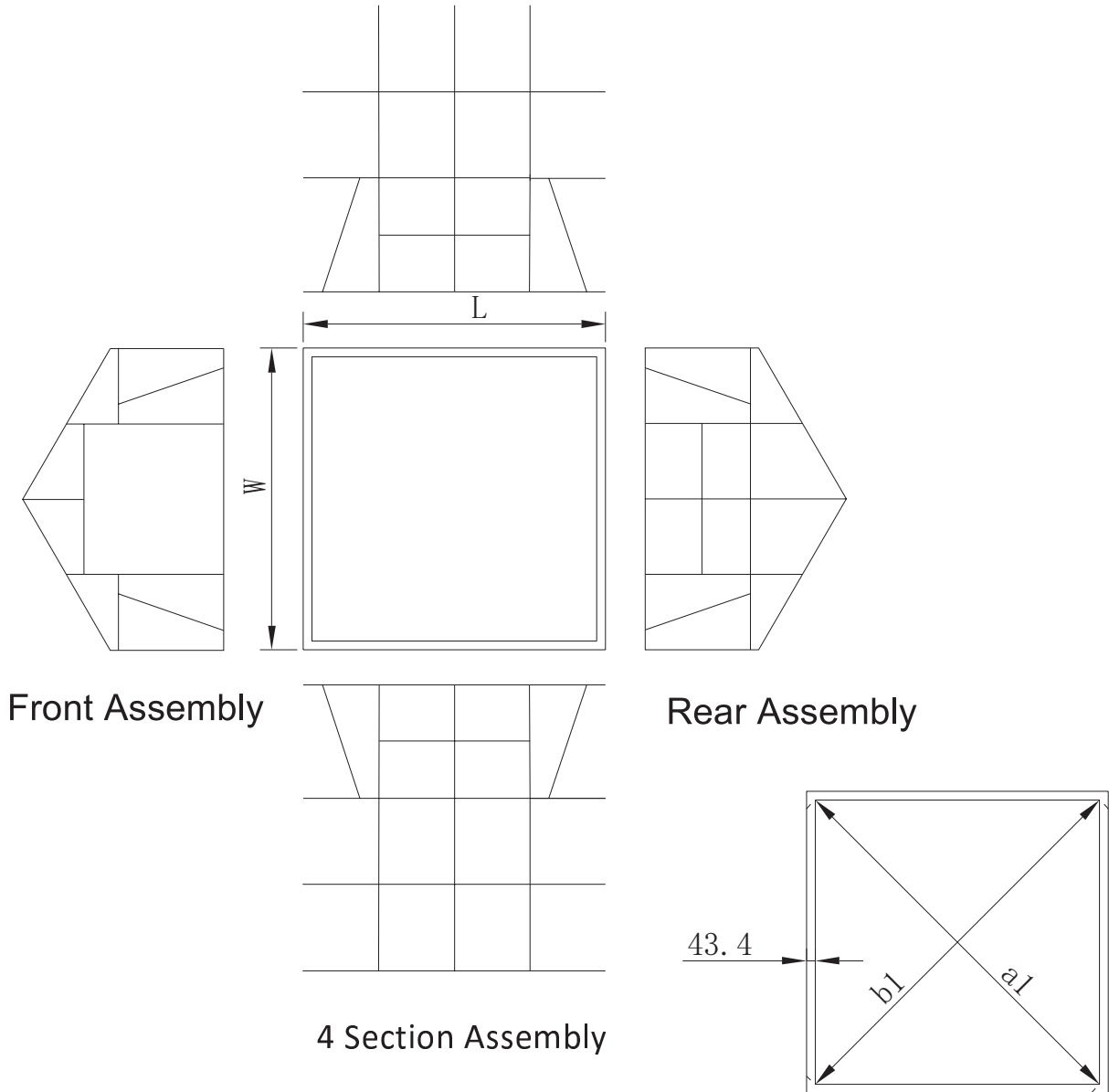
Steel pegs in soil



Support at the corners only is inadequate.



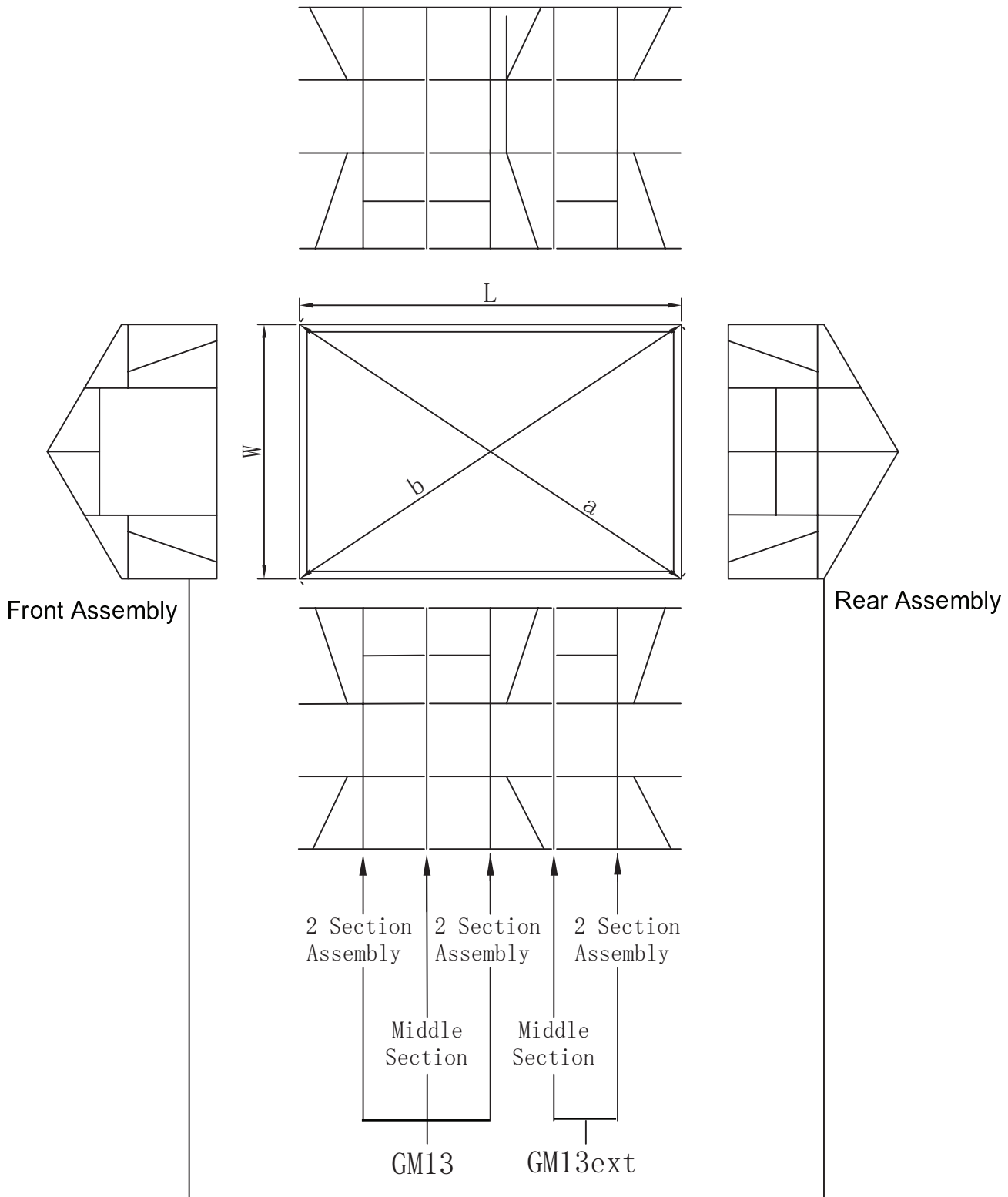
GM13



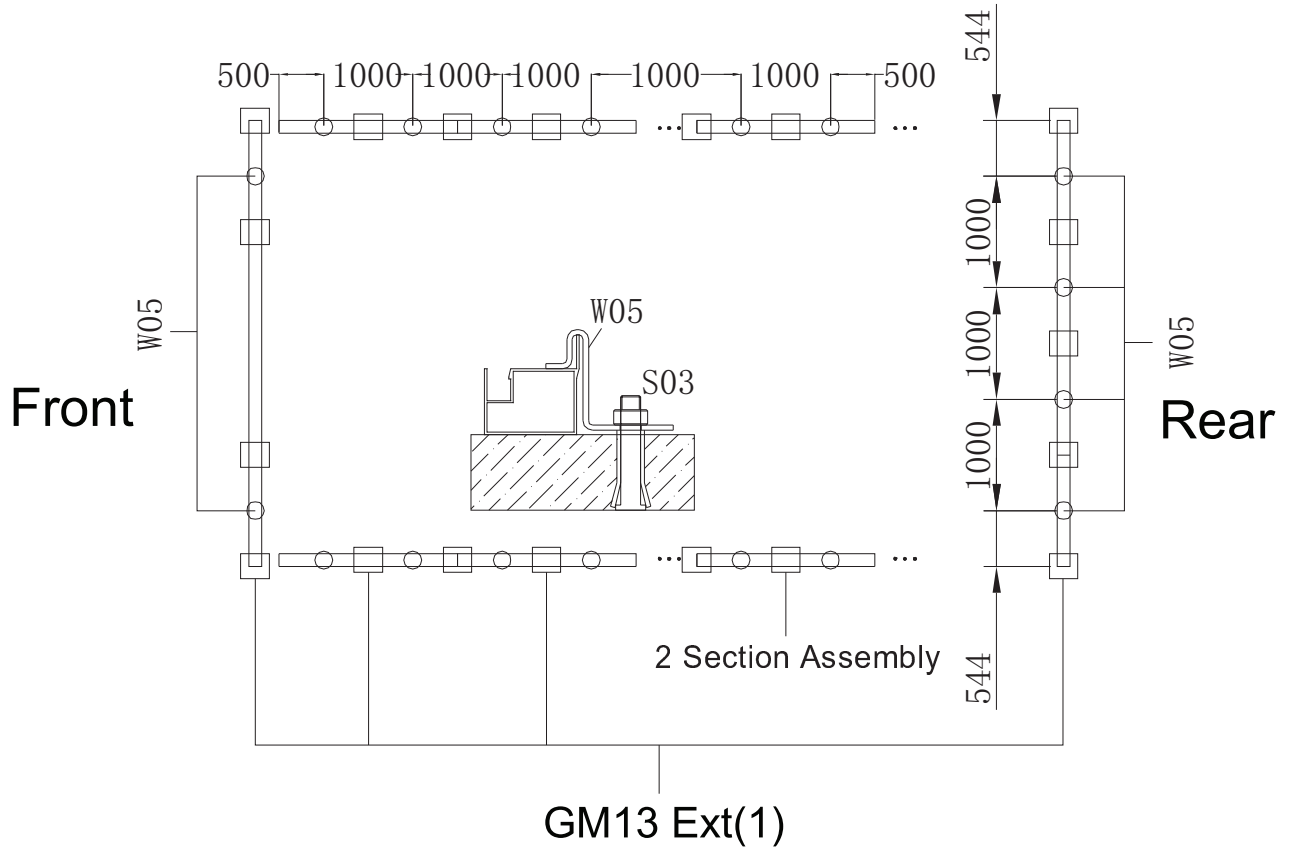
Dim/Model	GM13	GM13+Ext (1)	GM13+Ext (2)	GM13+Ext (3)	GM13+Ext (4)	GM13+Ext (5)	etc.
W (mm)	4059.4	4059.4	4059.4	4059.4	4059.4	4059.4	
L (mm)	4059.4	6061.6	8063.8	10066	12068.2	14070.4	
a=b (mm)	5740.9	7295.3	9027.9	10853.7	12732.7	14644.3	
a ₁ =b ₁ (mm)	5615.3	7172.3	8909	10738.5	12620.6	14534.8	

- * W= Outer Width of Base Profiles
- * L= Outer Length of Base Profiles
- * a=b= Outer Diagonal of Base Profiles
- * a₁=b₁= Inner Diagonal of Base Profiles

GM13+Ext (1)



* The basic model, GM13, can be easily extended by adding a '2 Section Assembly' each time for a longer size

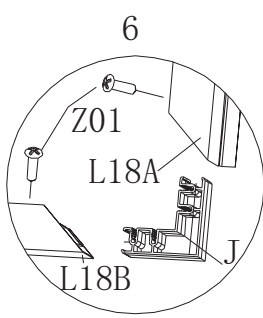
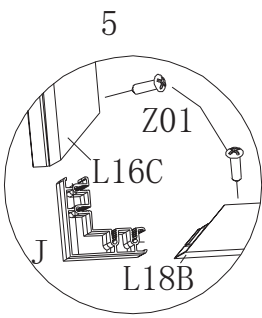
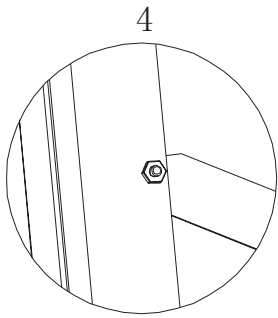
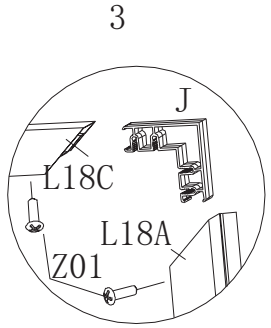
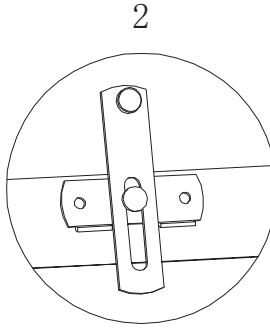
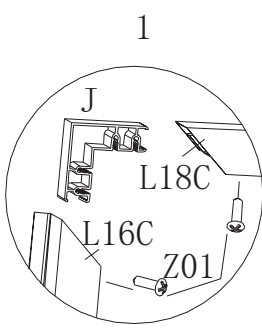
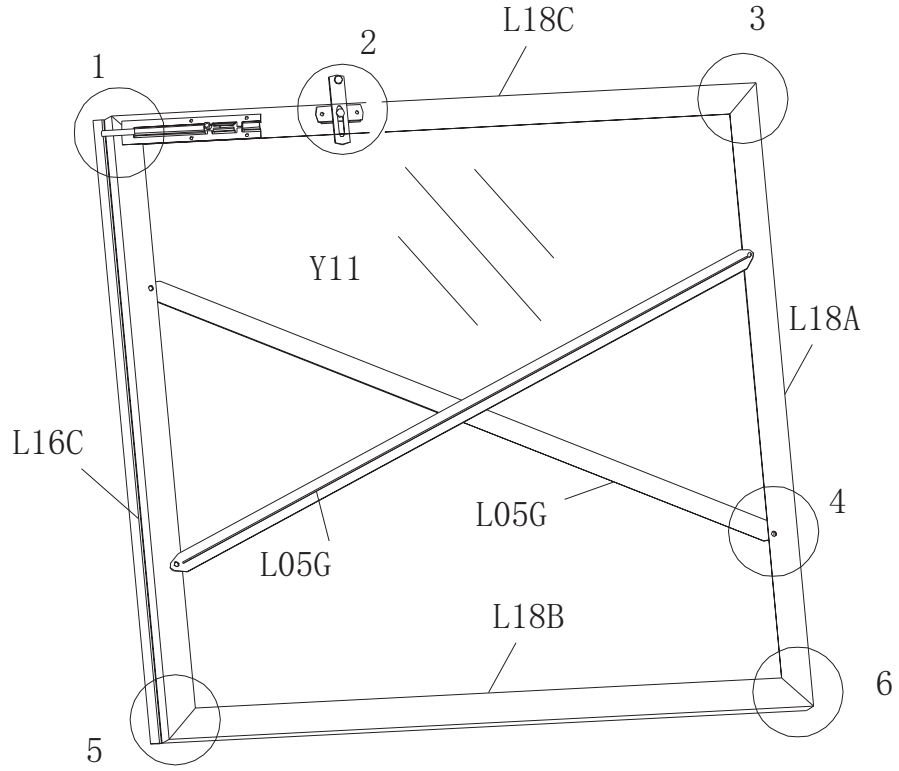


* This shows a layout for W05's positions where it is placed in the middle of PC panel for each section.

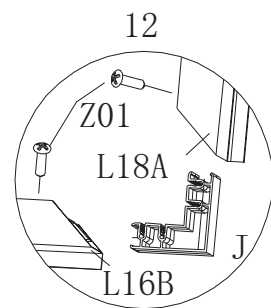
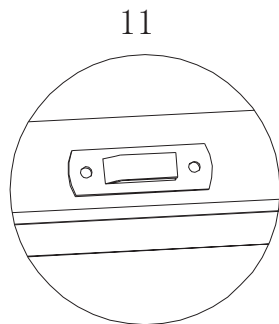
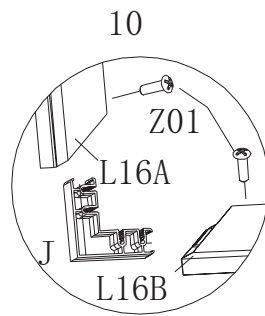
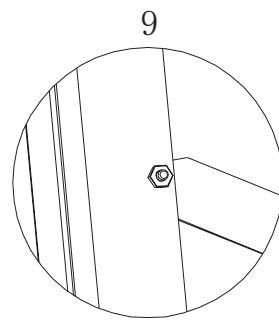
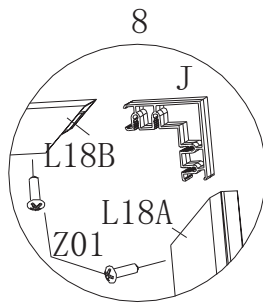
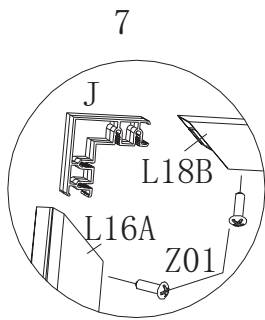
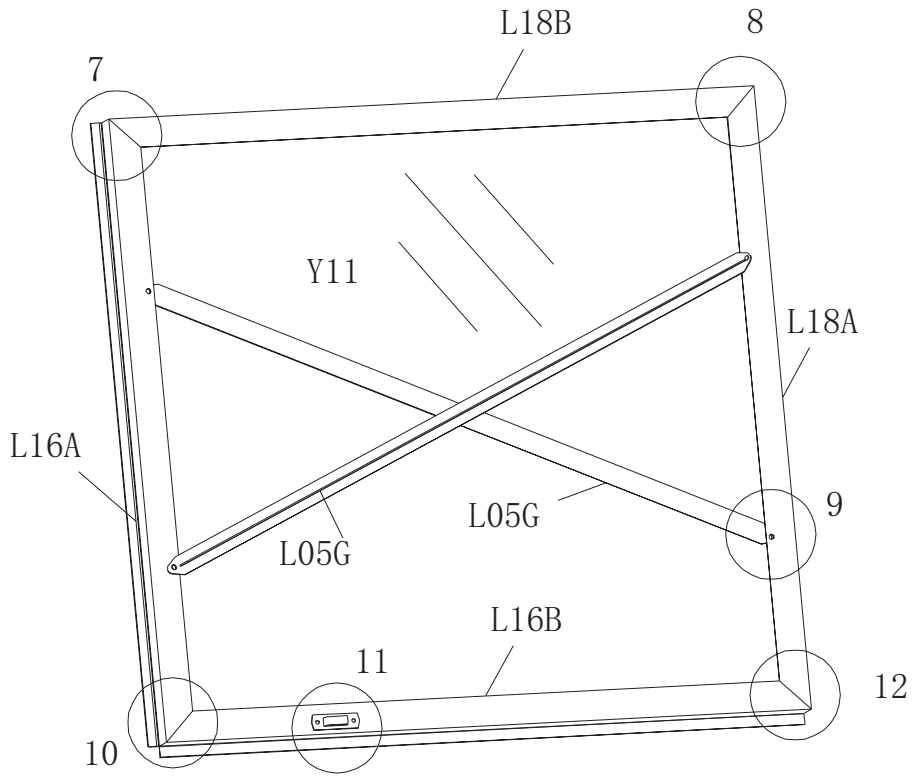
* All measurements in above diagram are in mm.

PART	NO.	QTY.
	L18A	2
	L18B	2
	L18C	1
	L18D	1
	L18E	2
	L18F	1
	L16A	1
	L16B	1
	L16C	1
	L17	1
	L05G	4
	L05H	4
	J	12
	S01 M6X10	18
	M01 M6	18
	Z01 φ5X15	24
	Y11	2
	Y12	2

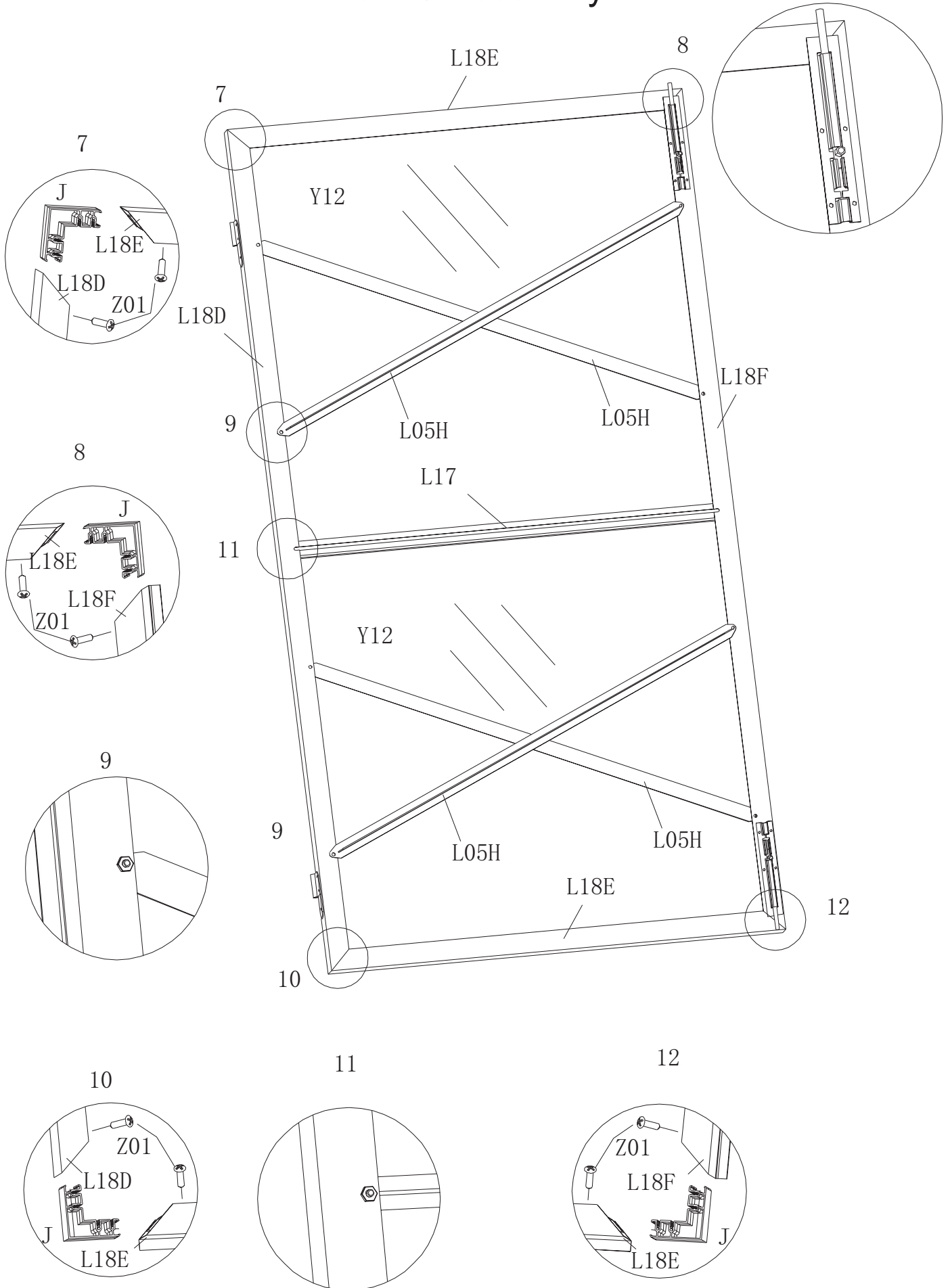
Door 1 Assembly



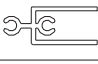


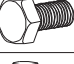

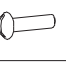



Door 2 Assembly

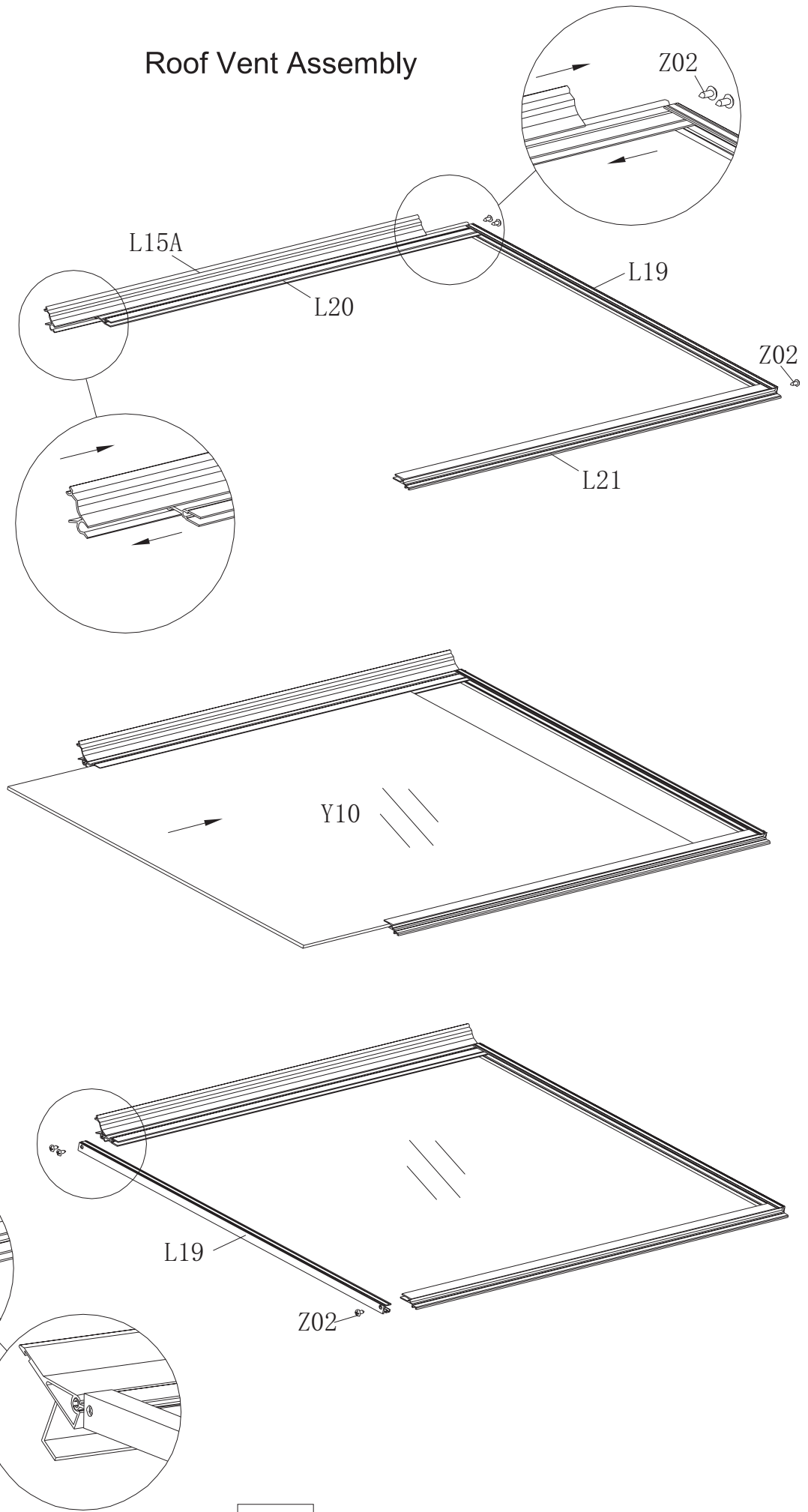


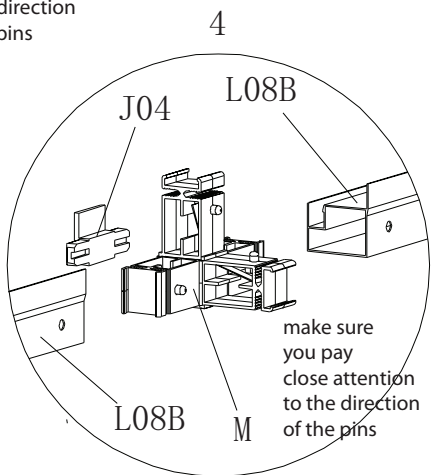
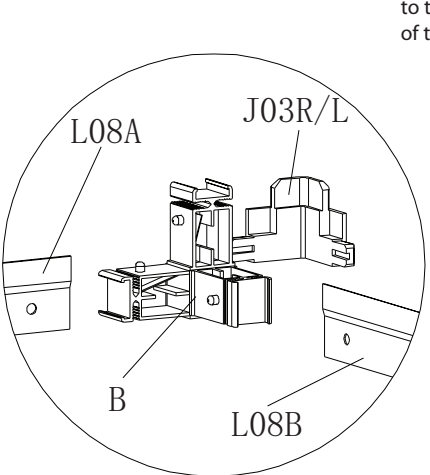
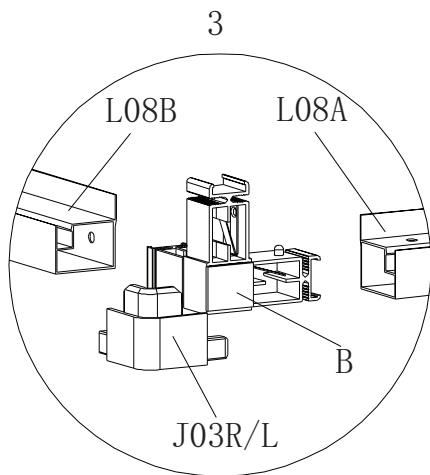
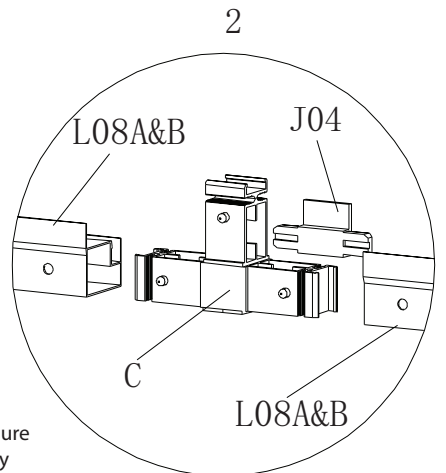
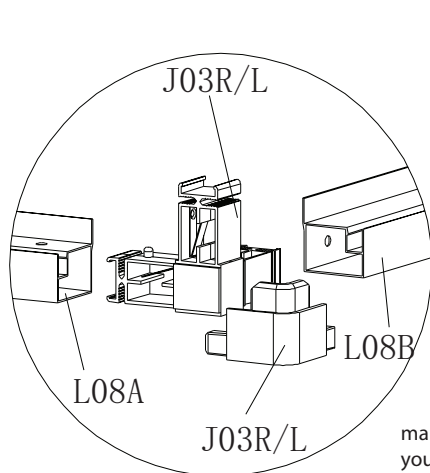
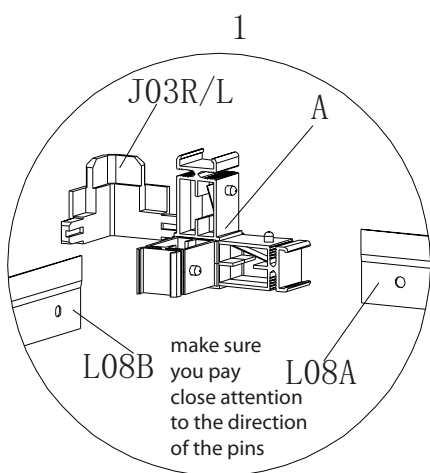
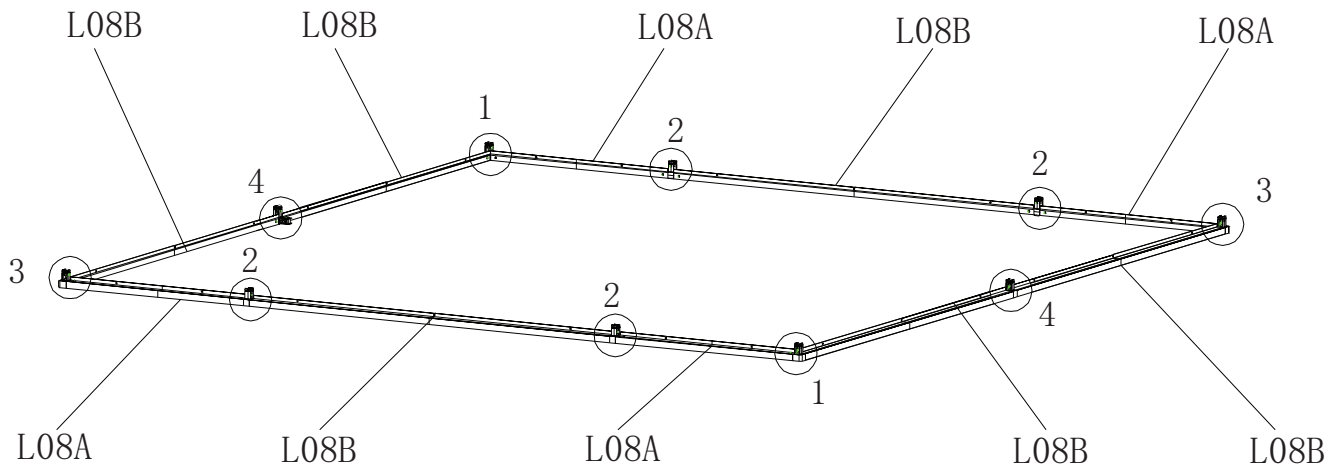
Door 3 Assembly



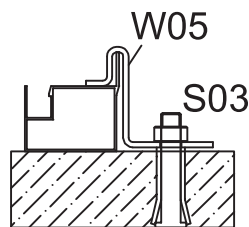
PART	NO.	QTY.
	L15A	1
	L19	2
	L20	1
	L21	1
	W06	4
	S02 M6X16	2
	M01 M6	2
	Z02 φ4X16D	6
	Z04 φ4X10	4

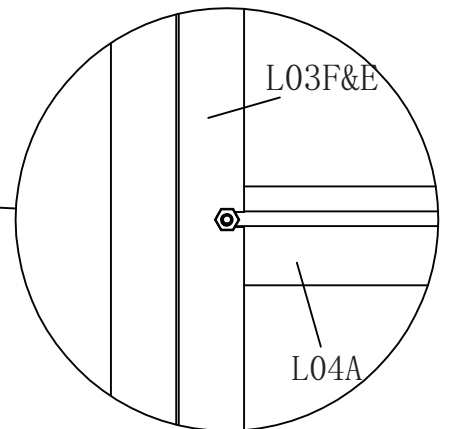
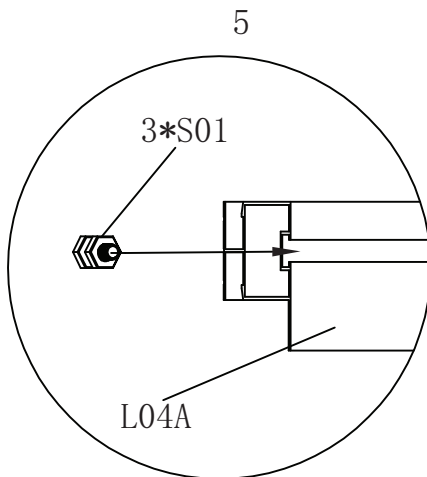
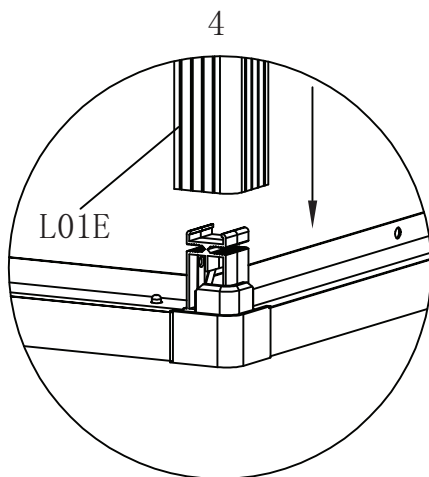
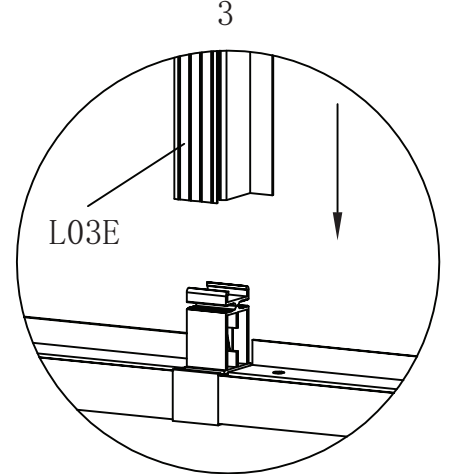
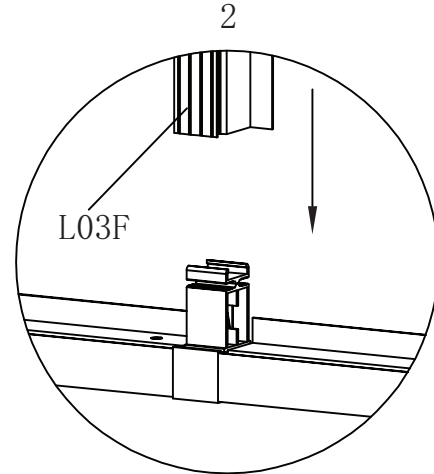
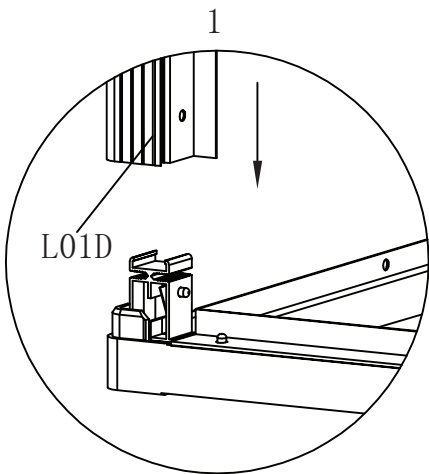
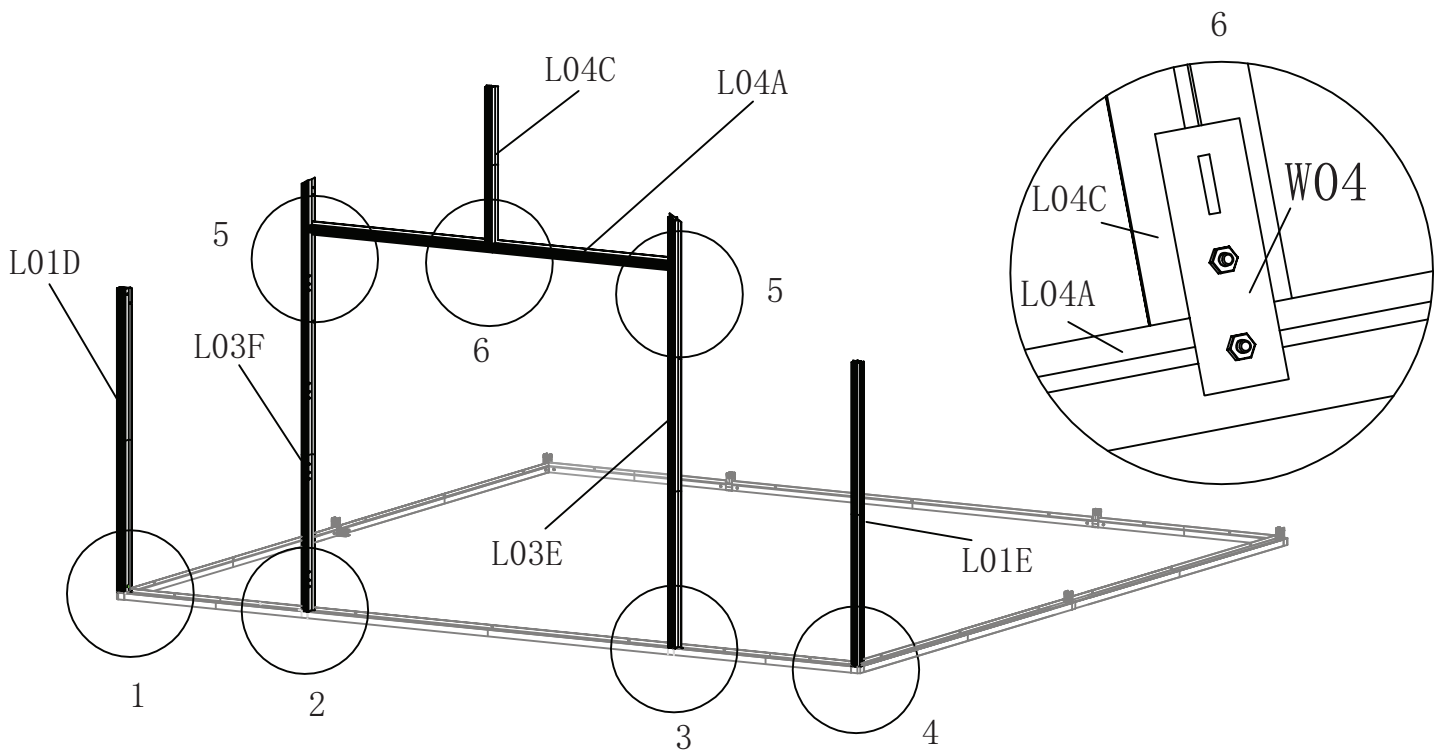
Roof Vent Assembly



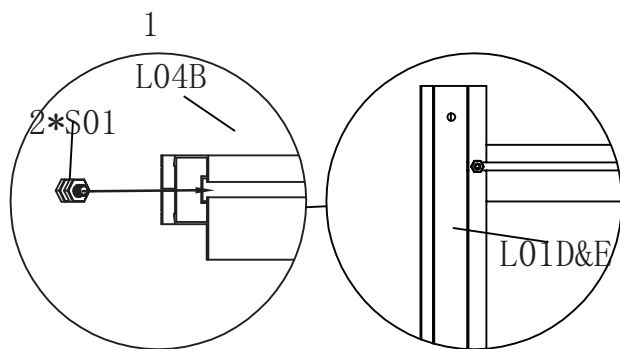
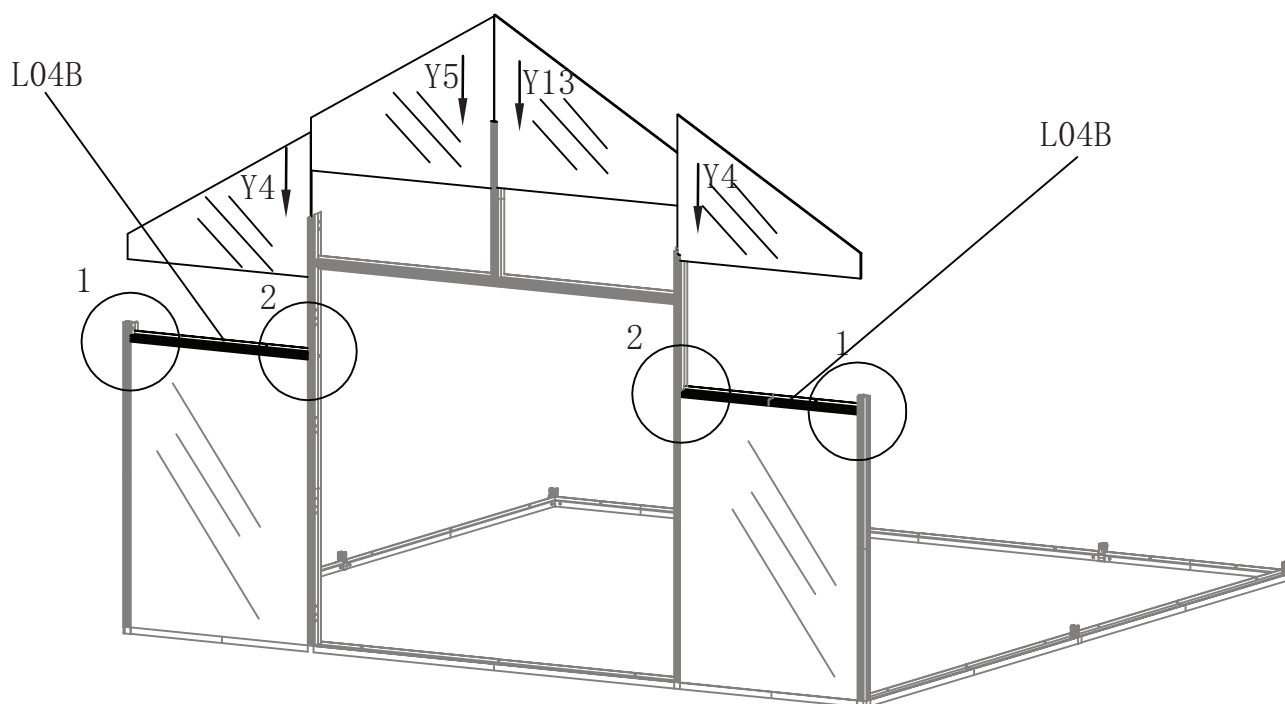
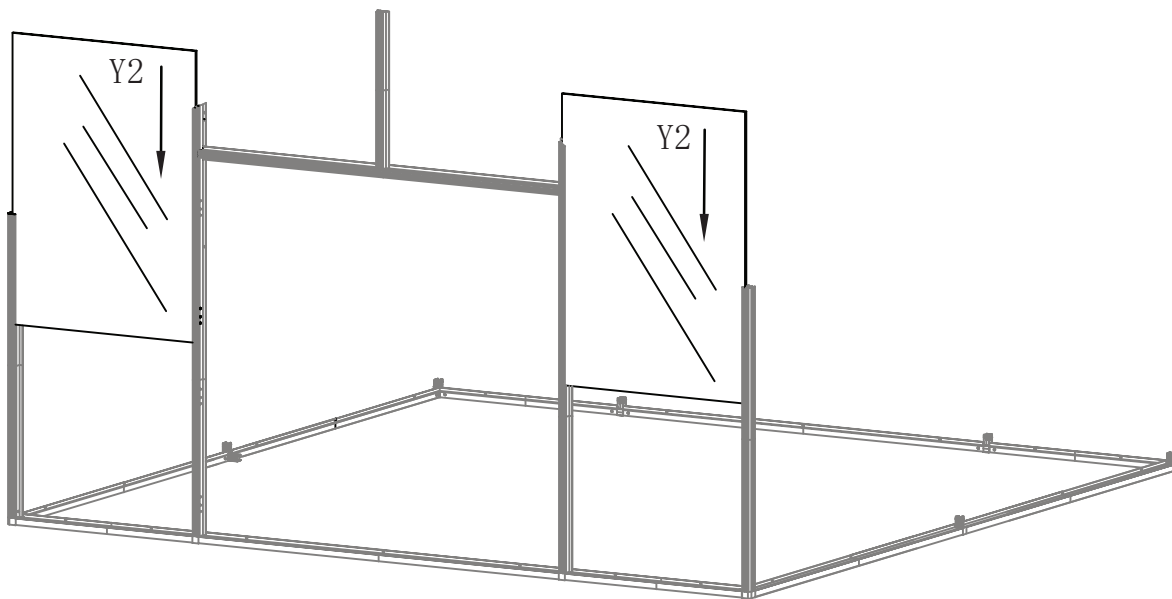


Assemble all W05 followed by previous Page 14 after each base profile is connected.
must connect all plastic parts (J04 and J03 R/L) before completing this step

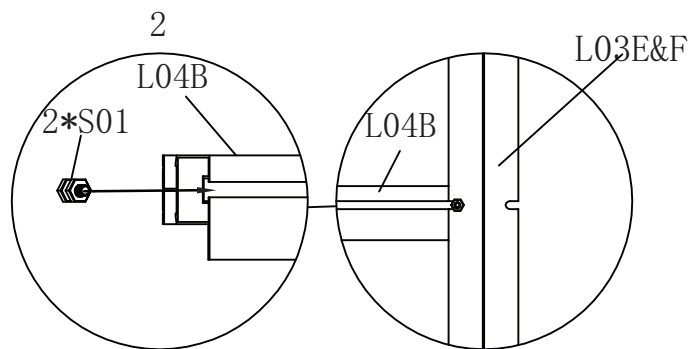




Slide 3*S01 into L04A, and tighten L04A at each end with S01

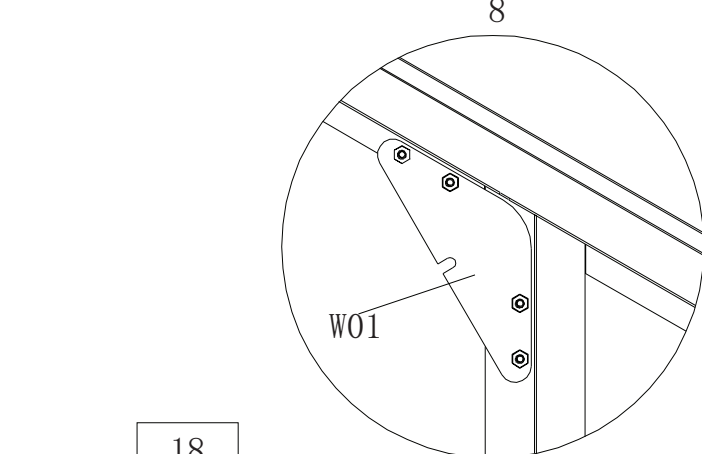
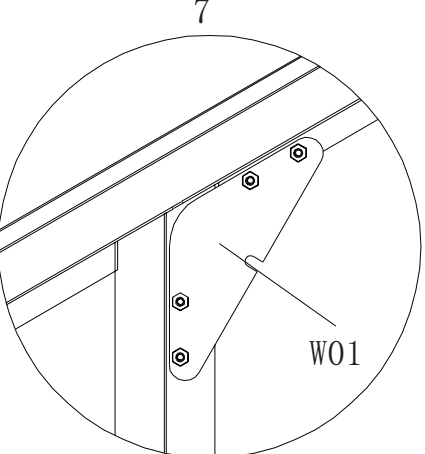
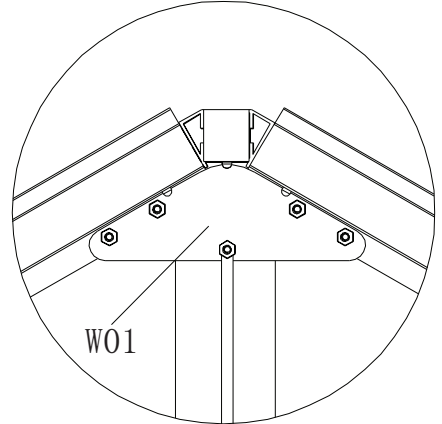
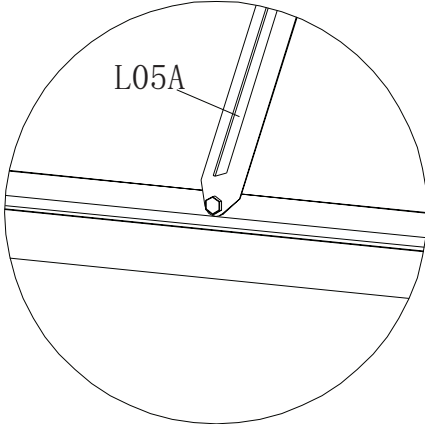
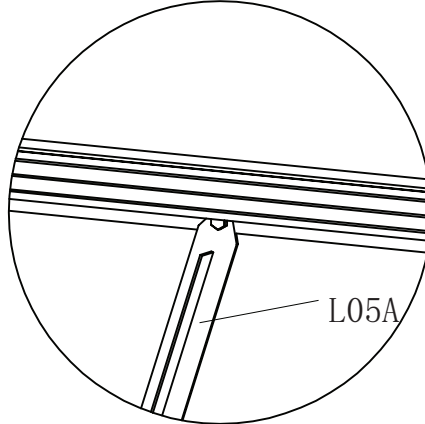
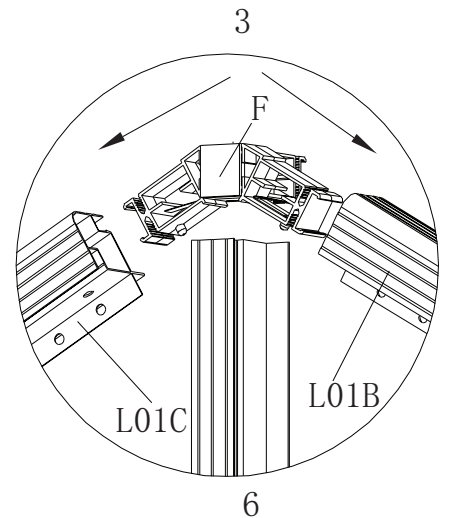
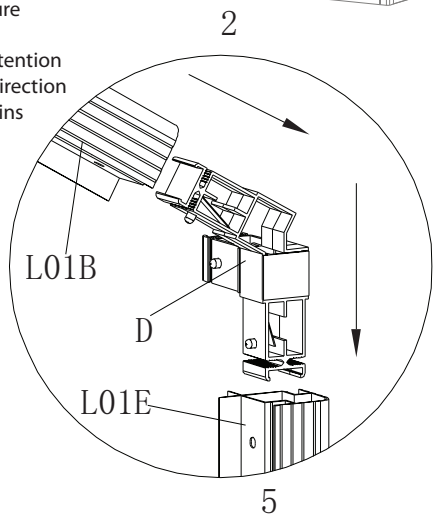
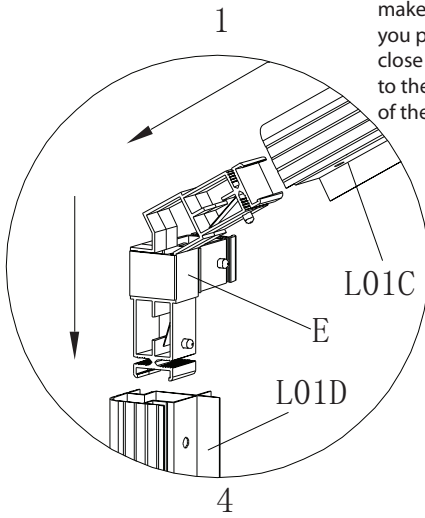
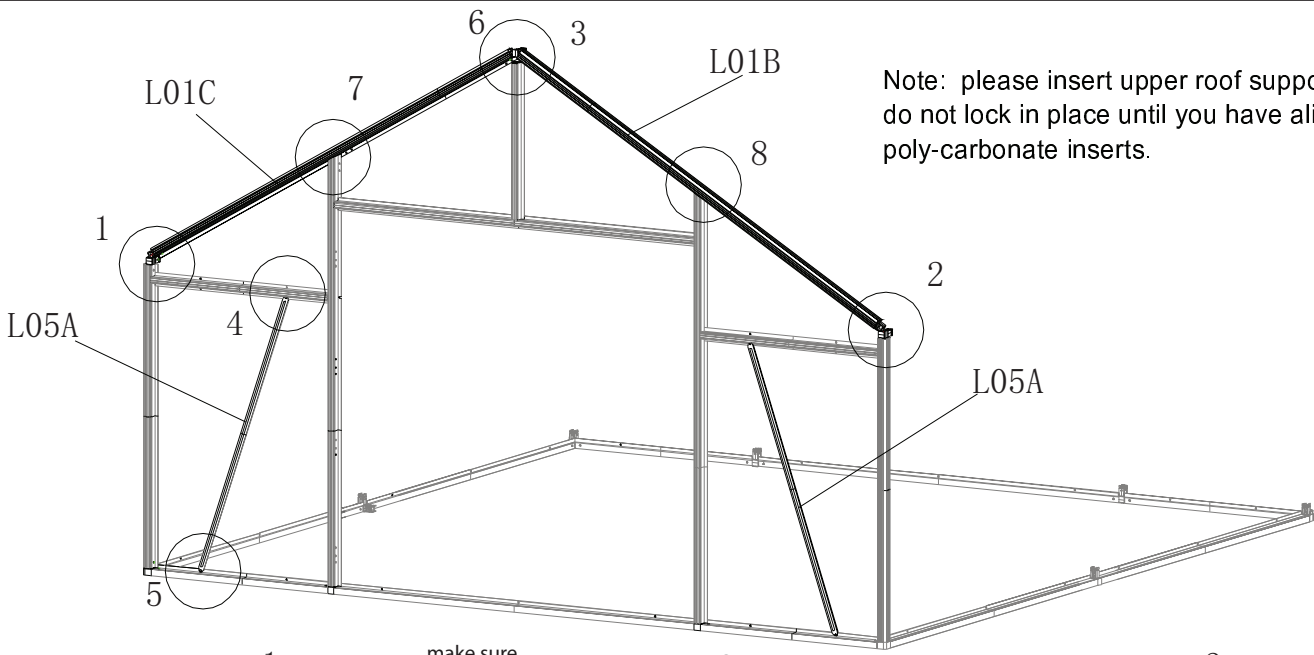


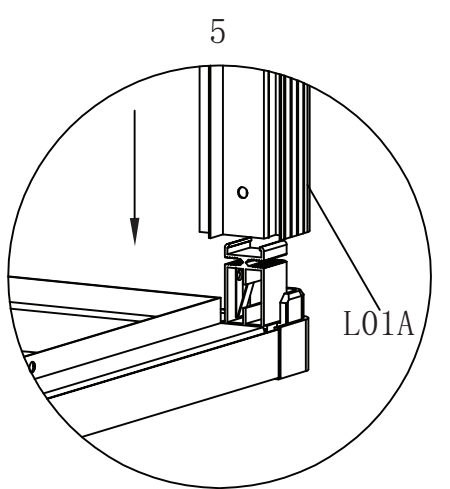
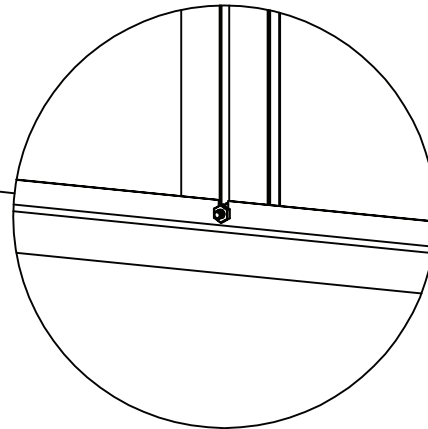
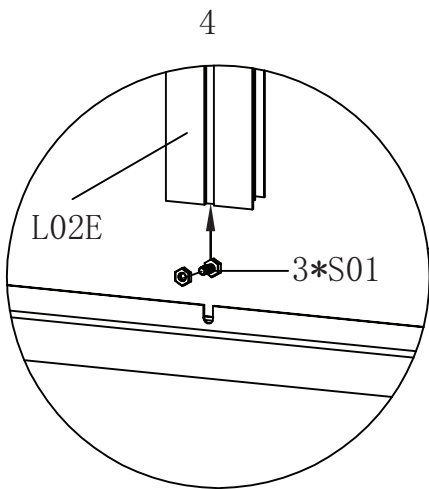
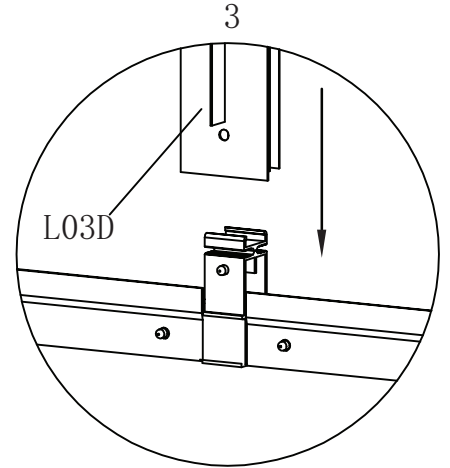
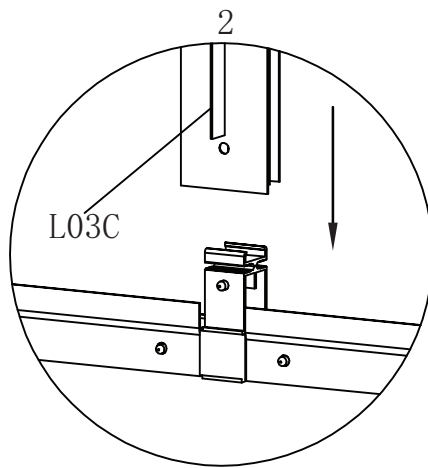
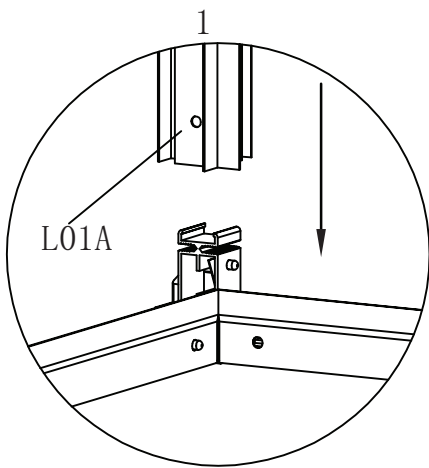
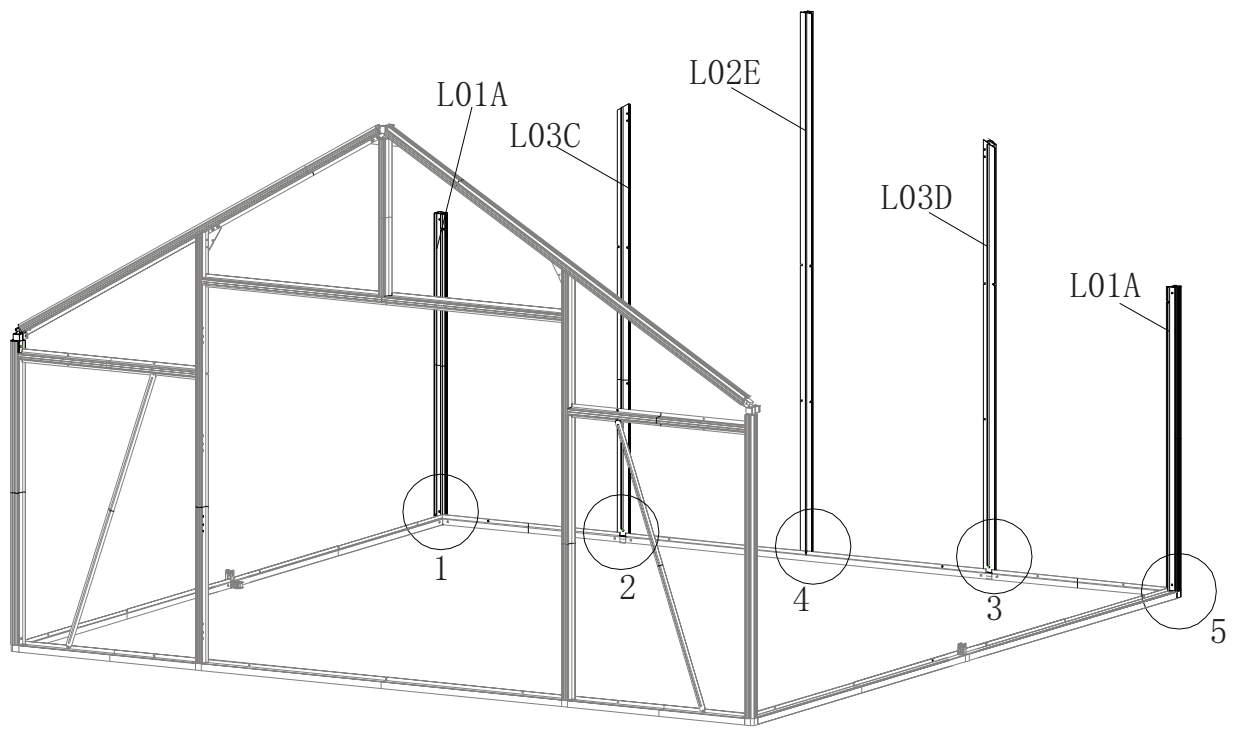
Slide 2*S01 into L04B, and tighten L04B at each end with S01



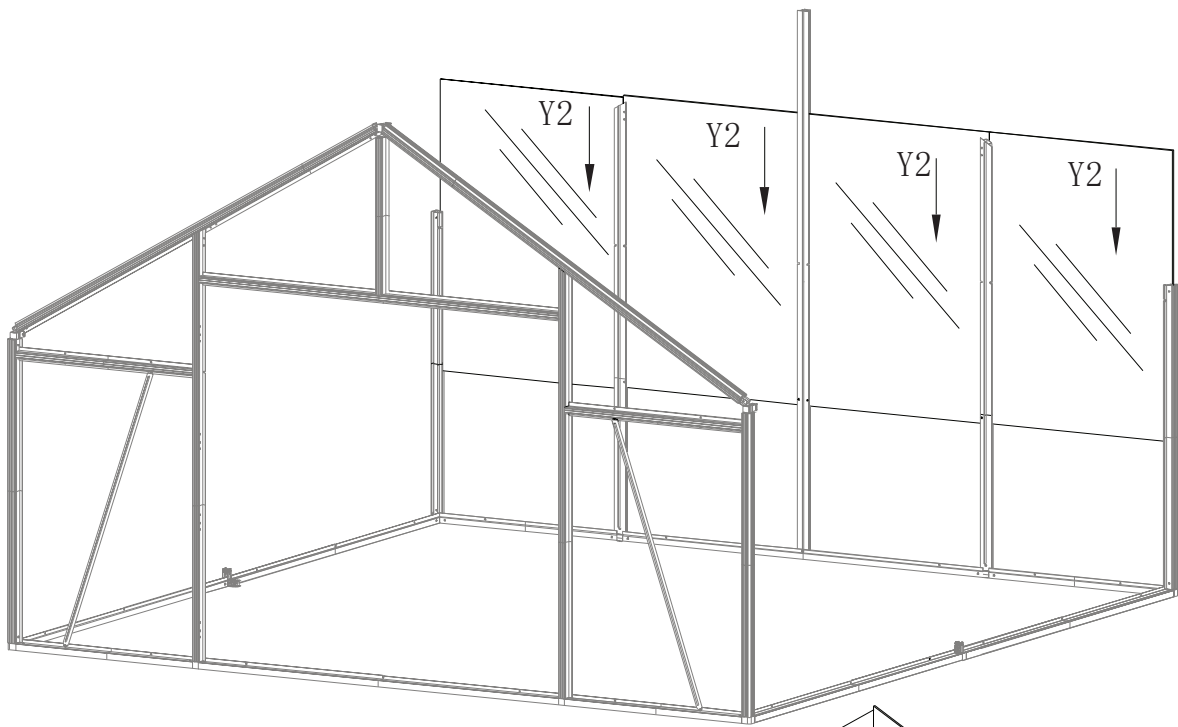
Slide 2*S01 into L04B, and tighten L04B at each end with S01

Note: please insert upper roof supports but, do not lock in place until you have aligned the poly-carbonate inserts.

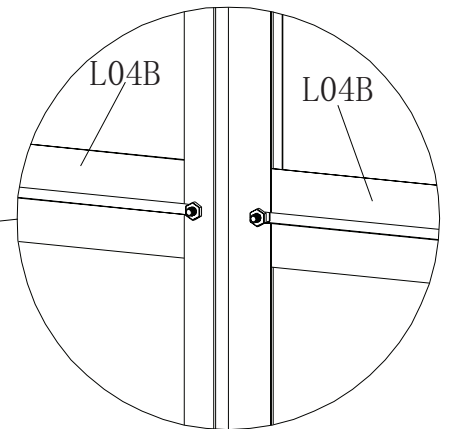
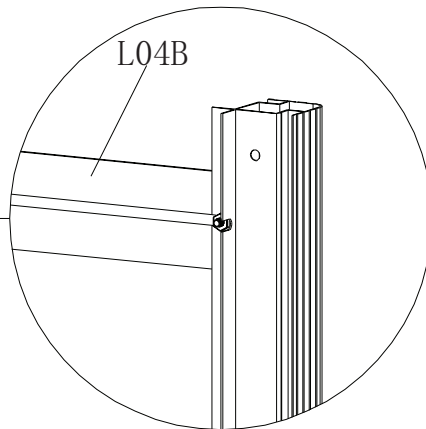
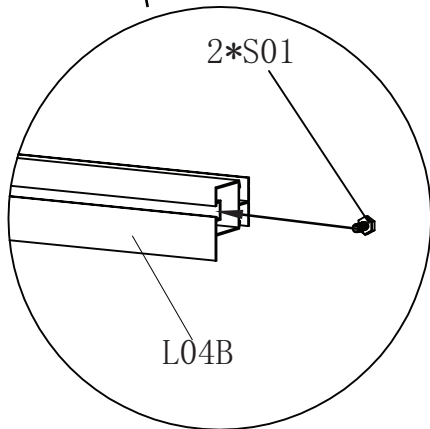
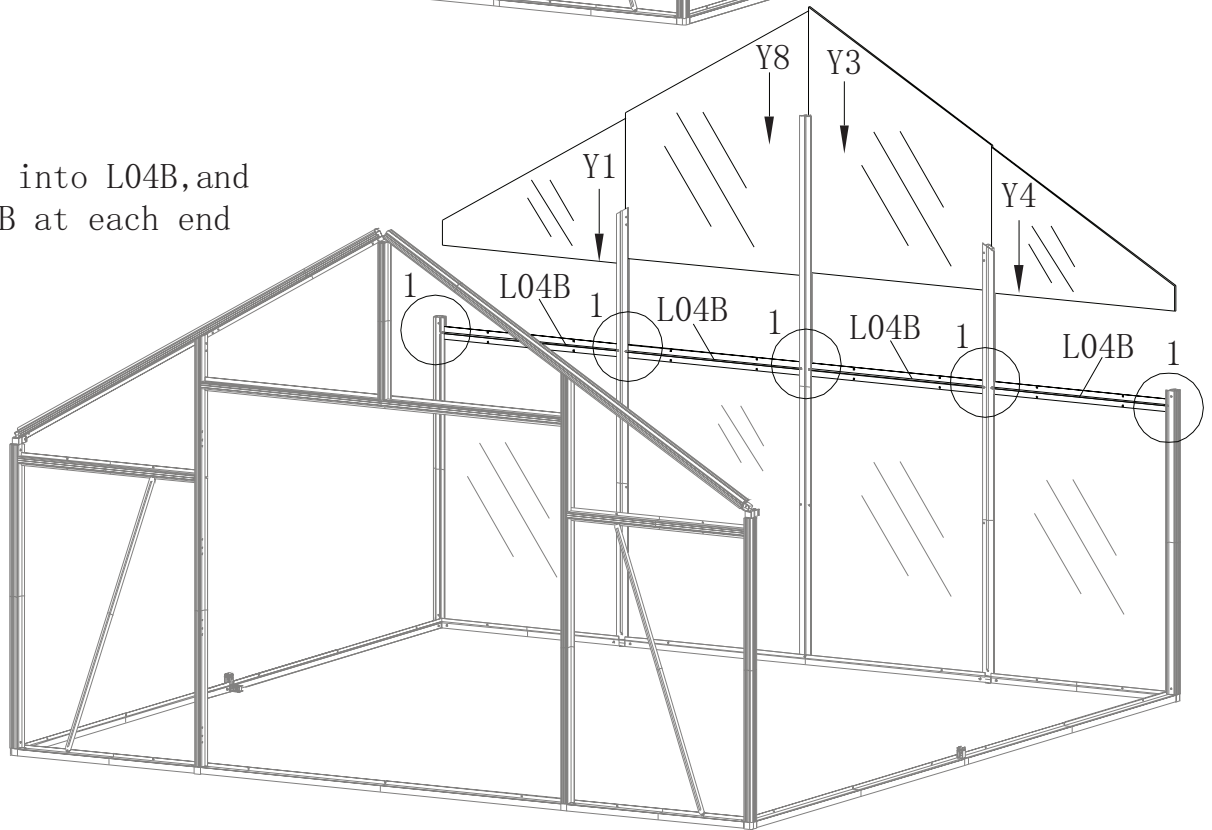


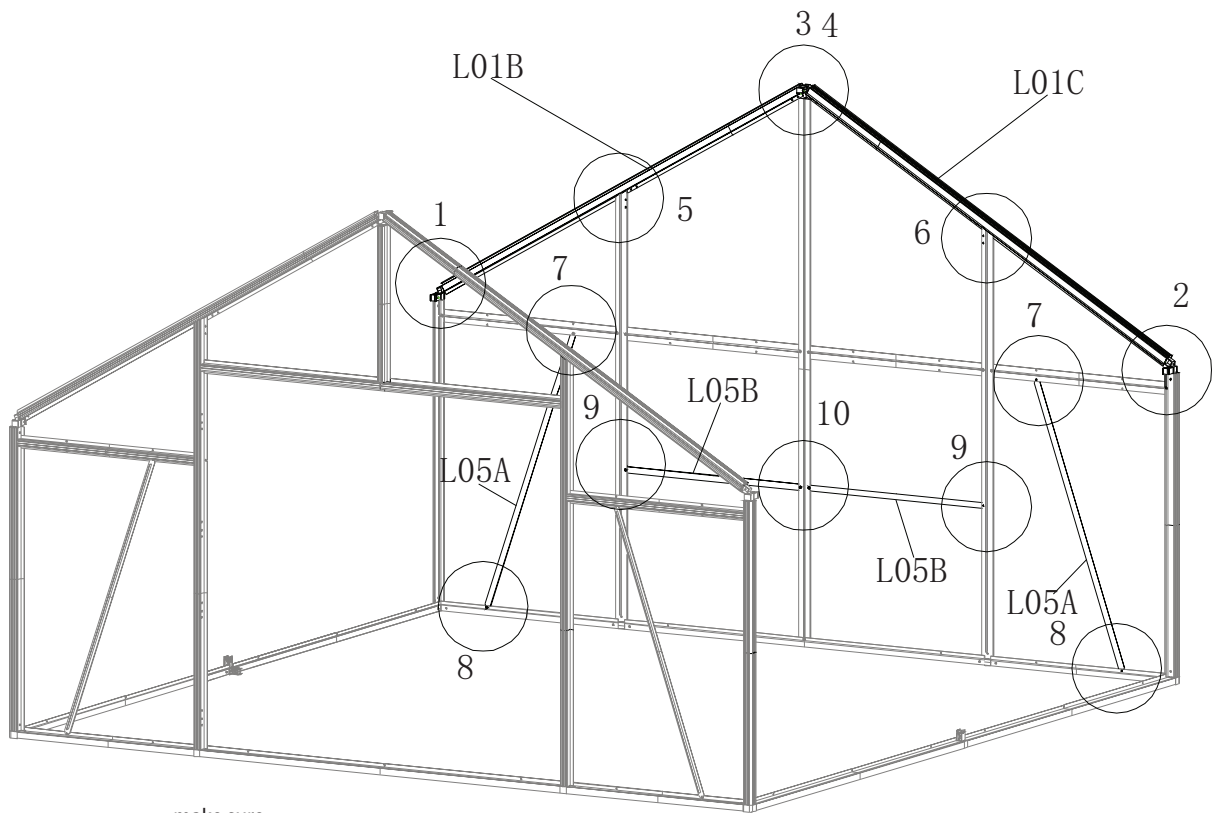


Slide 3*S01 into L02E, and tighten L02E at each end. The third one is for later use.

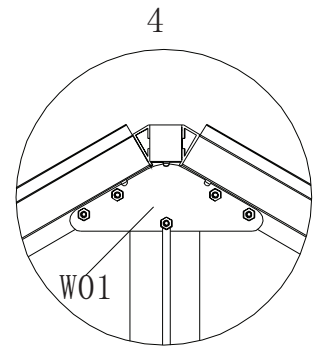
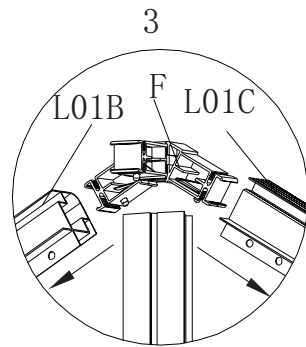
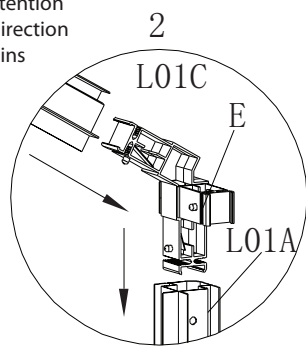
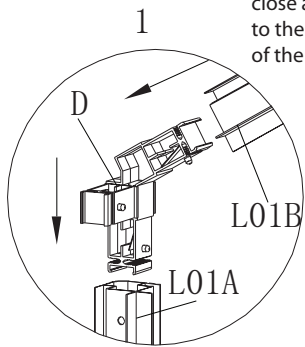


Slide 2*S01 into L04B, and tighten L04B at each end with S01

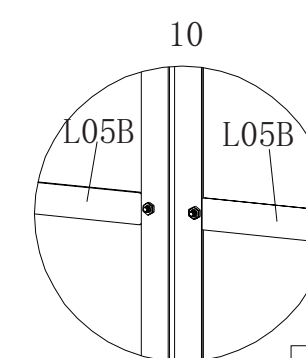
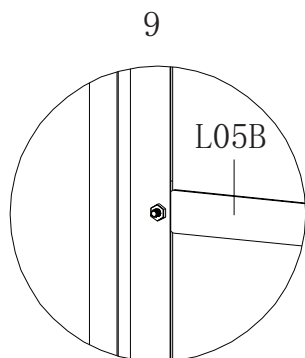
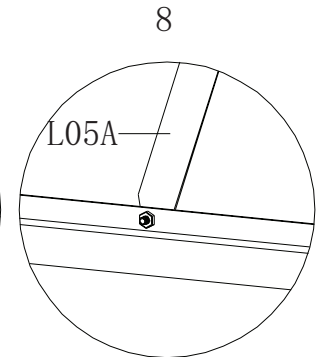
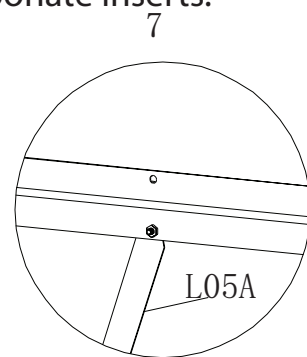
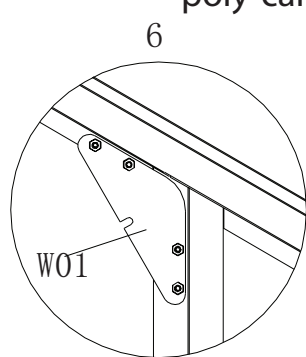
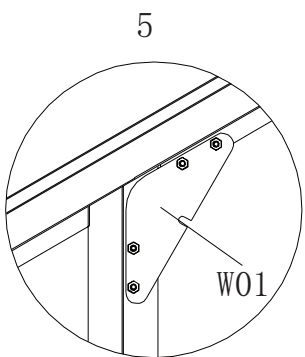


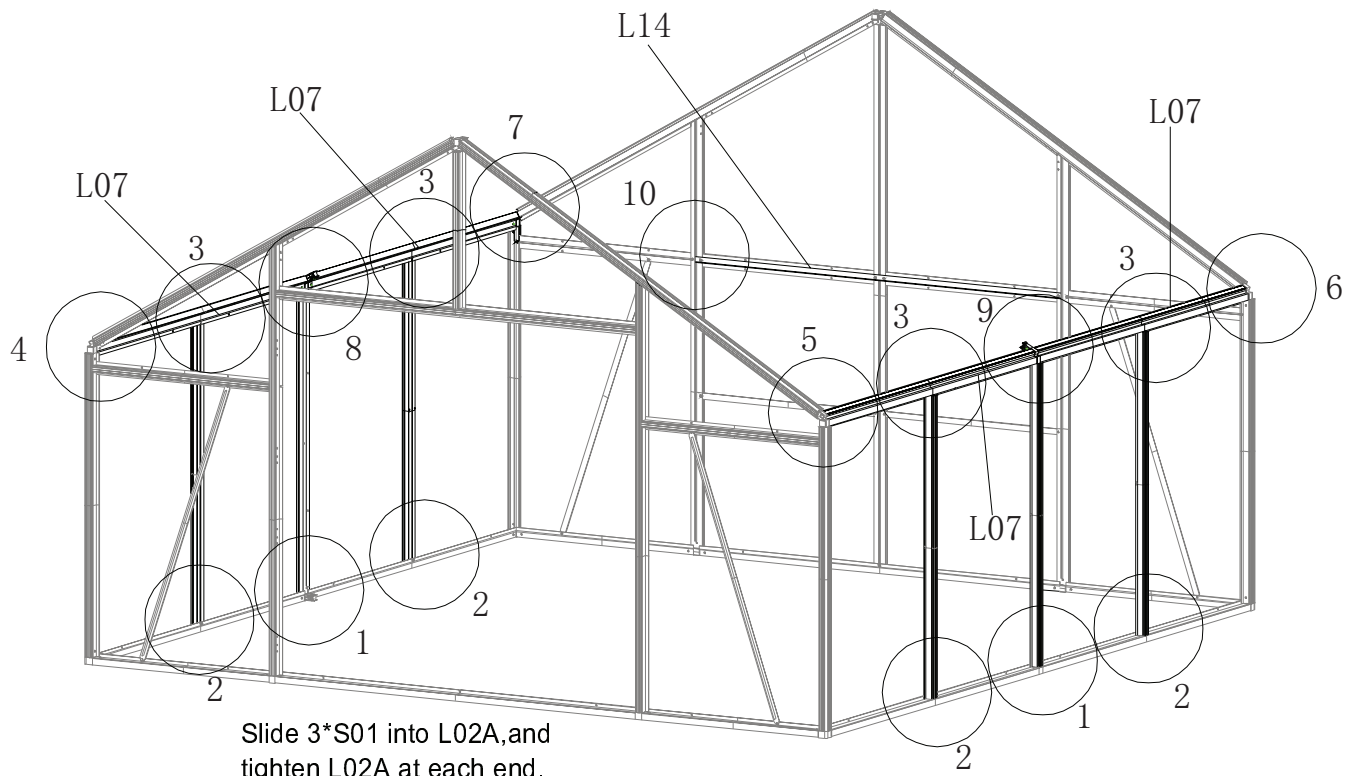


make sure
you pay
close attention
to the direction
of the pins

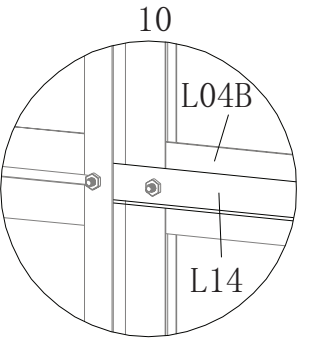
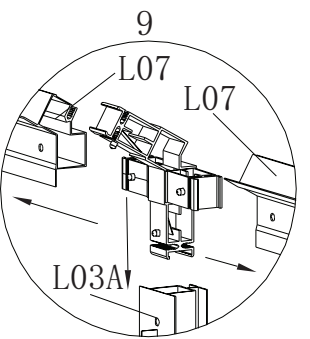
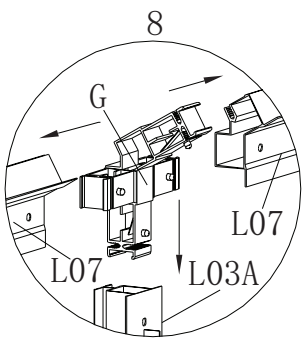
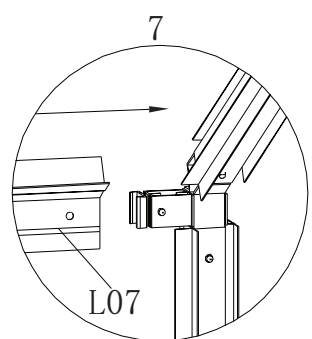
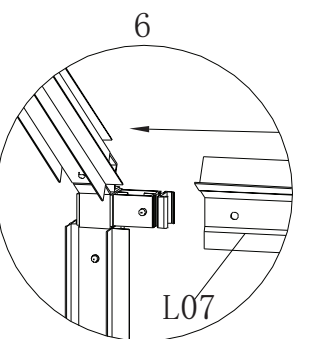
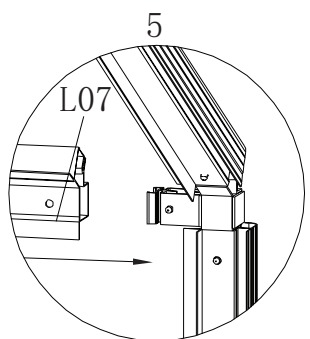
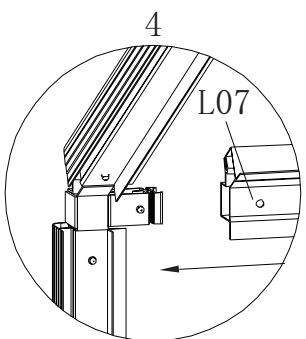
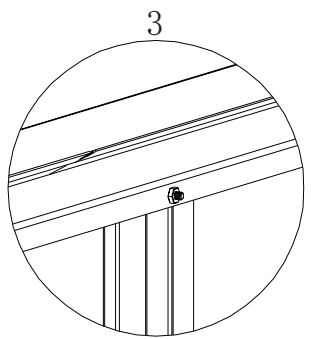
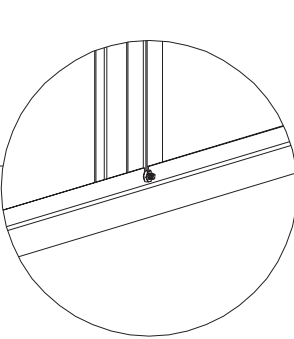
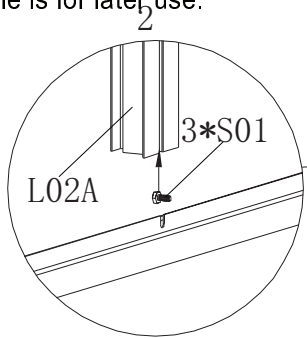
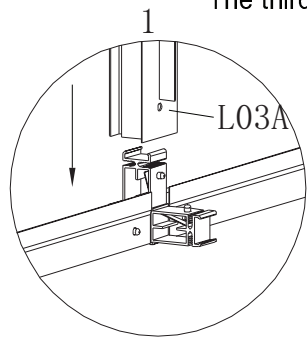


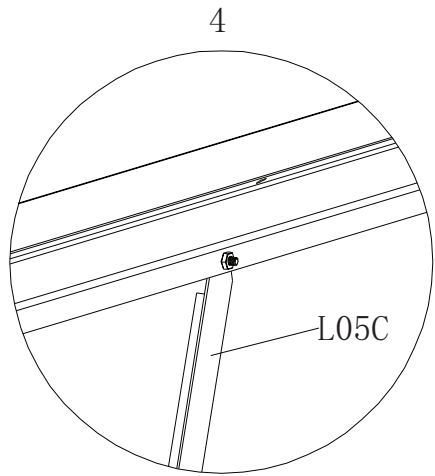
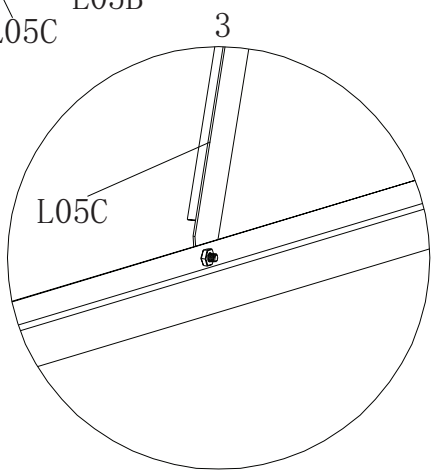
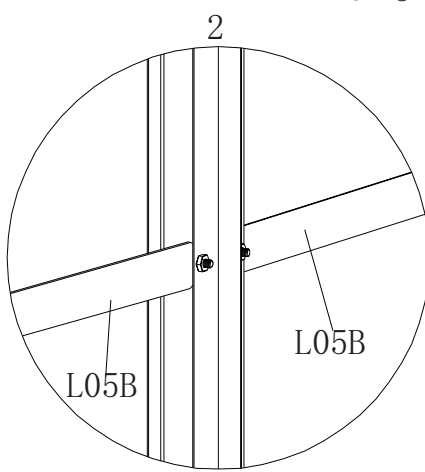
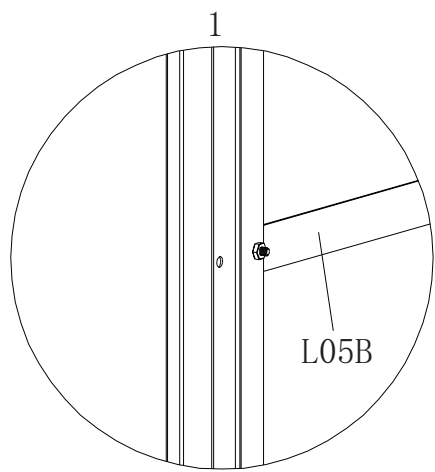
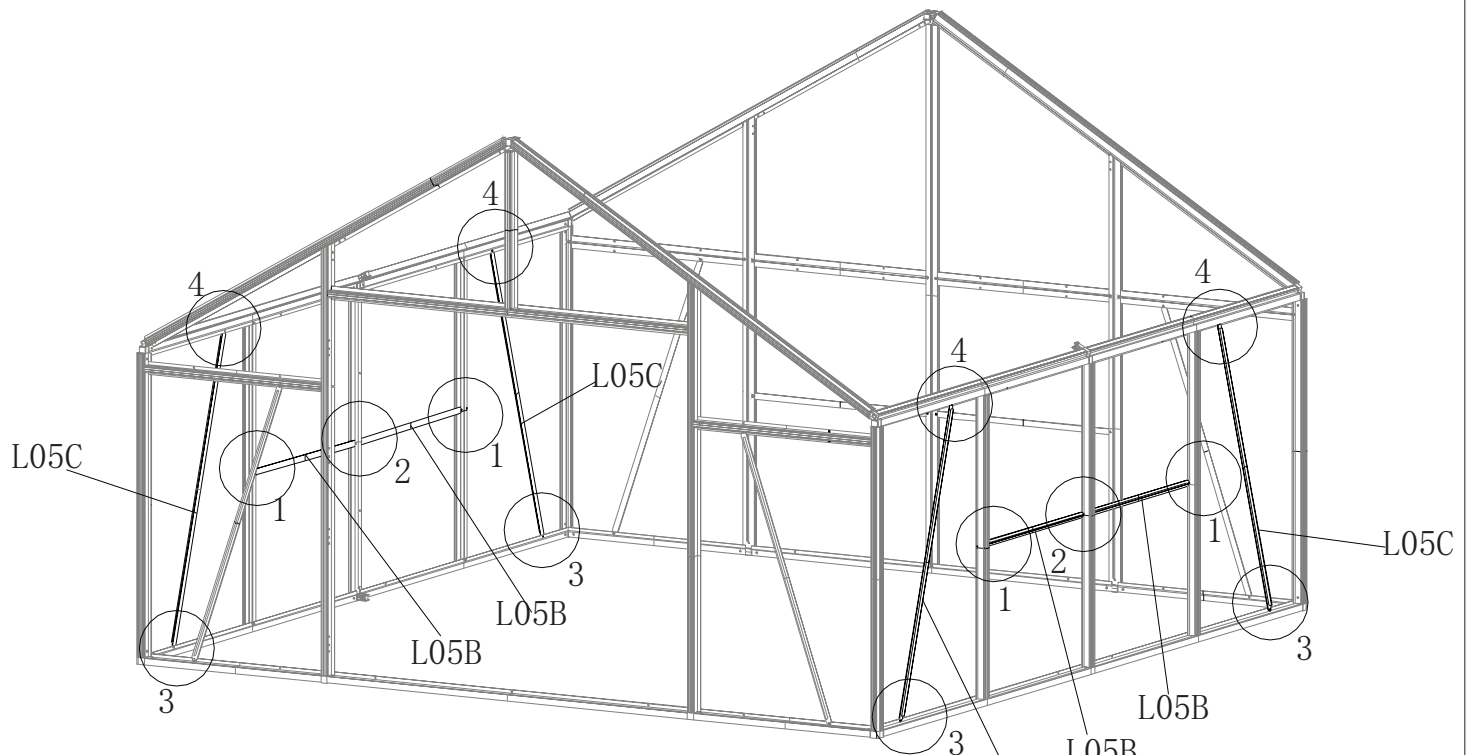
Note: please insert upper roof supports but, do not lock in place until you have aligned the poly-carbonate inserts.

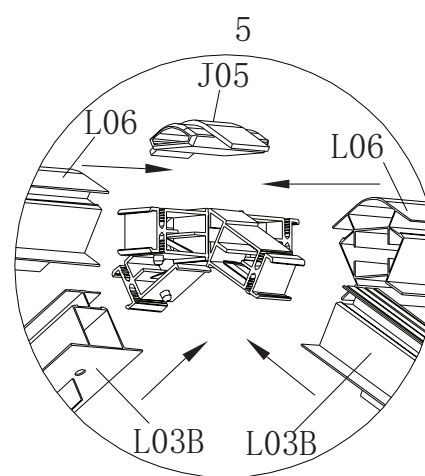
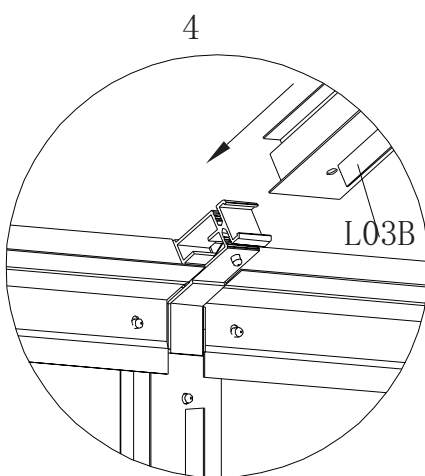
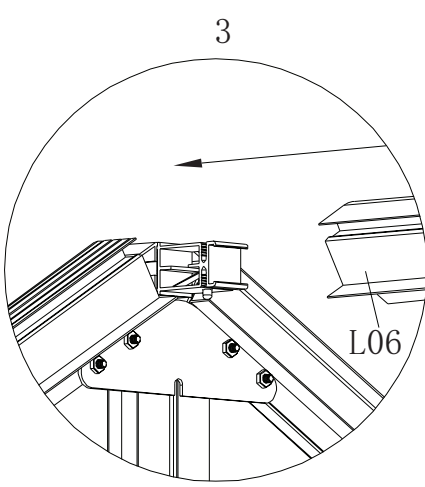
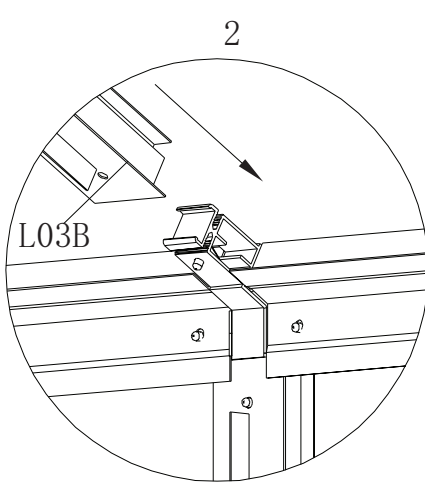
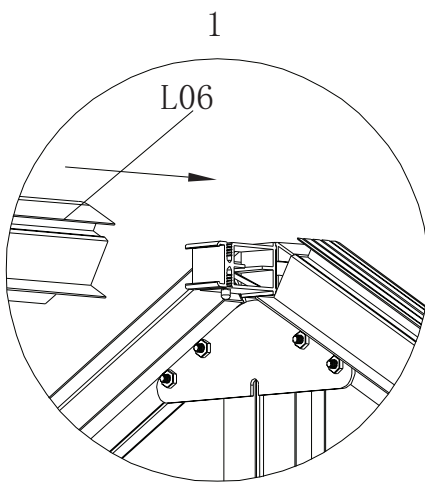
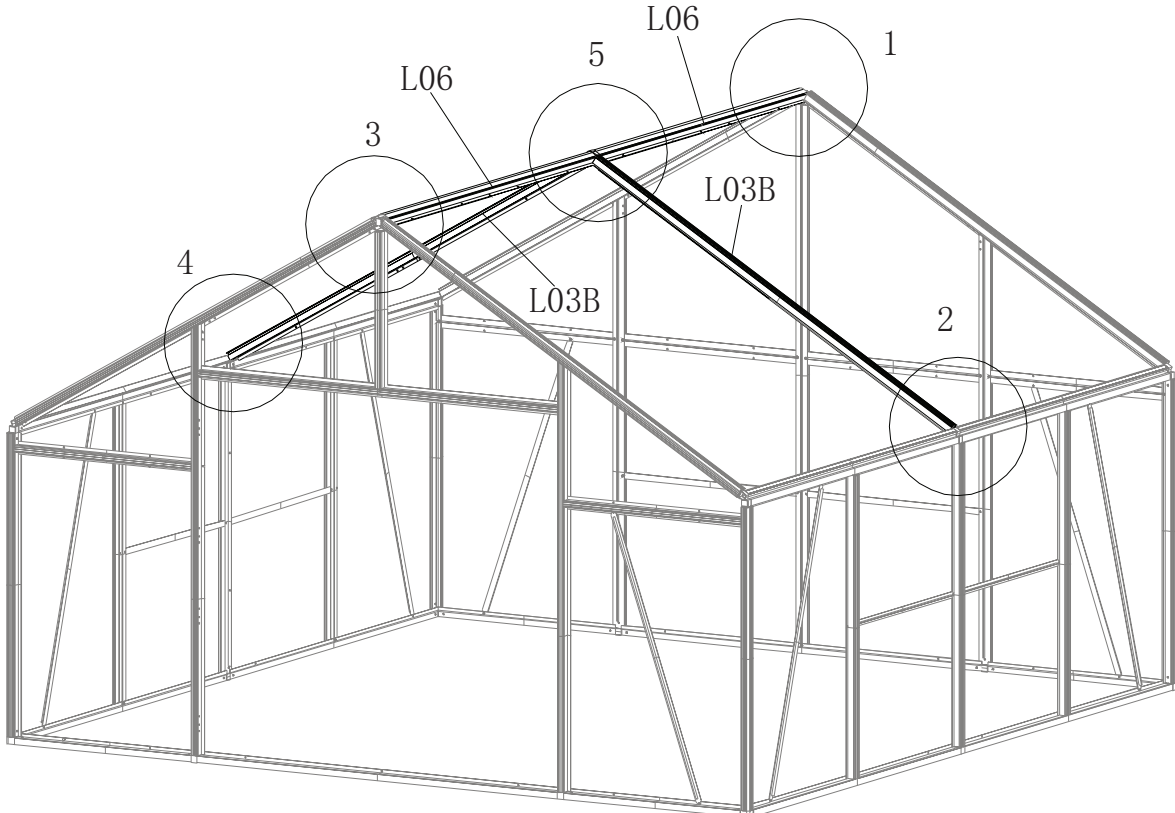


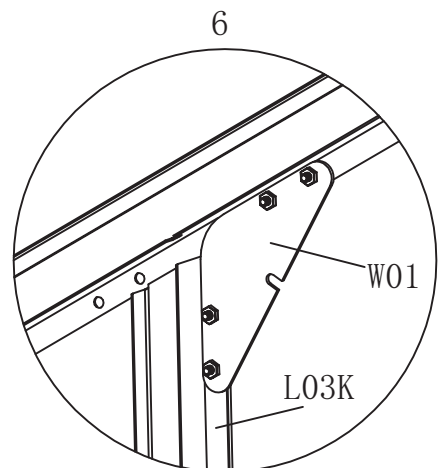
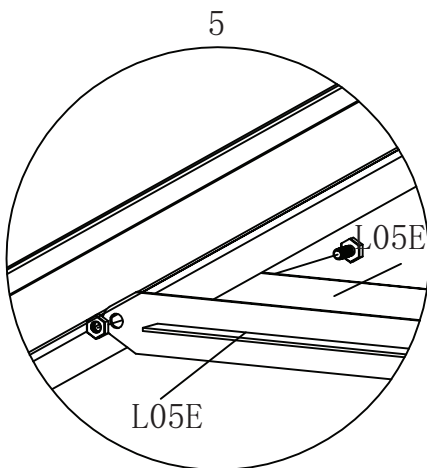
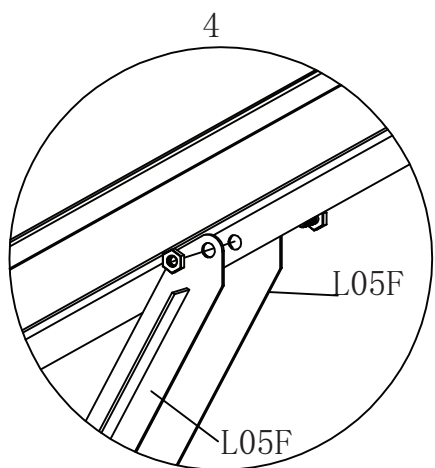
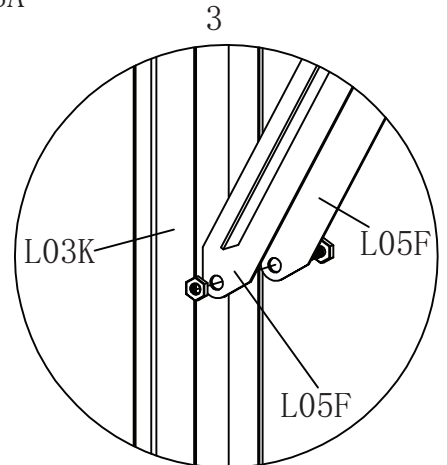
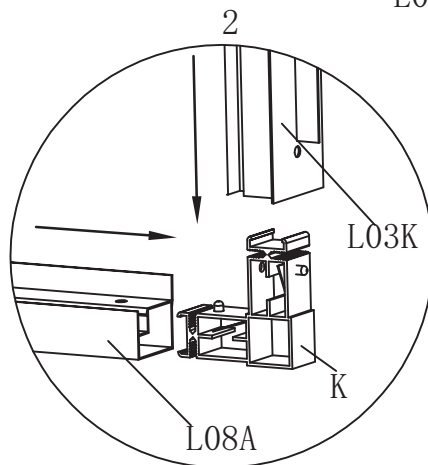
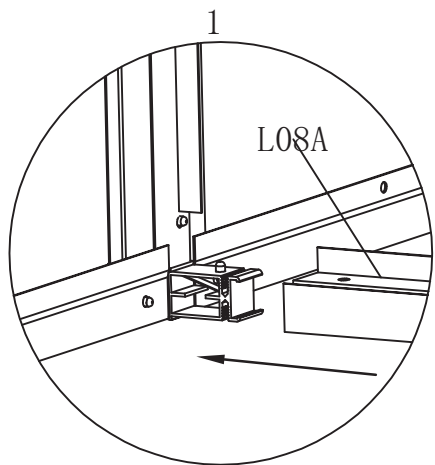
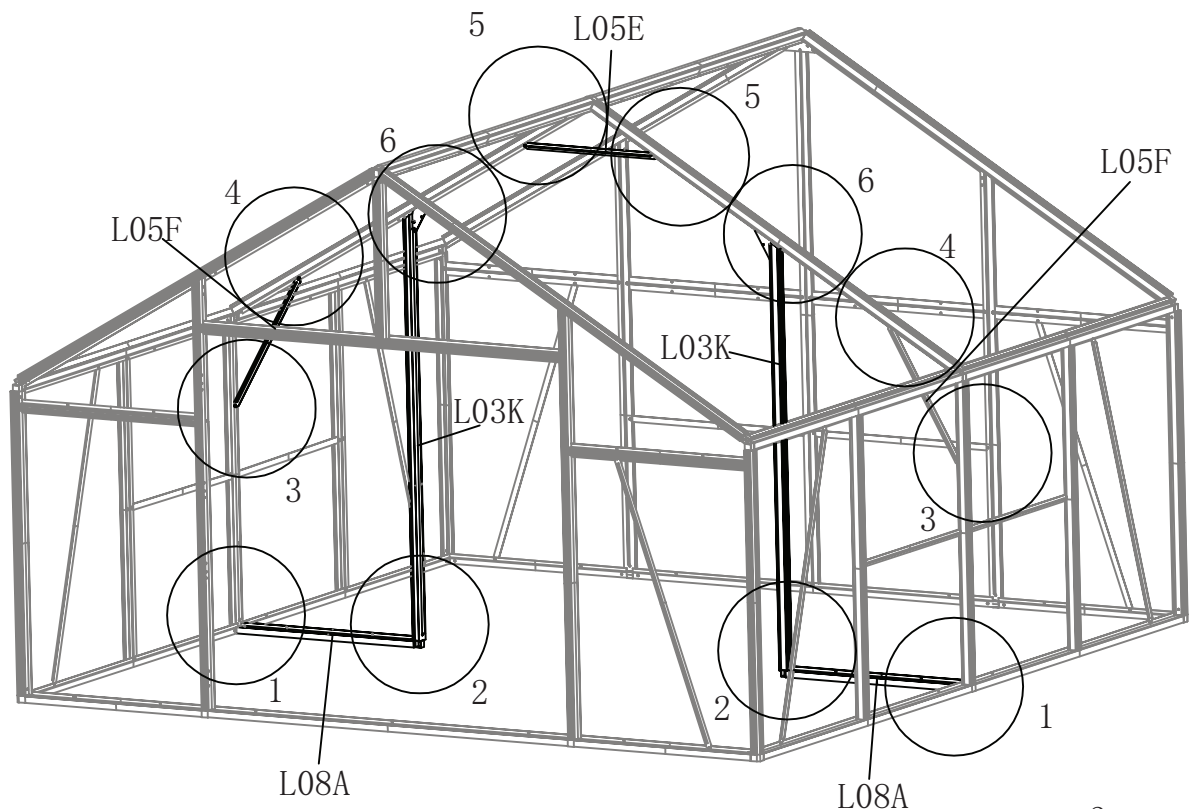


Slide 3*S01 into L02A, and
tighten L02A at each end.
The third one is for later use.

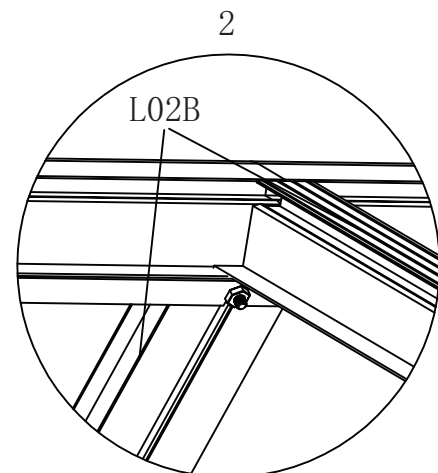
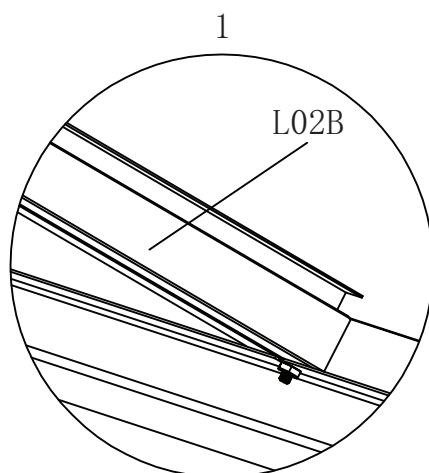
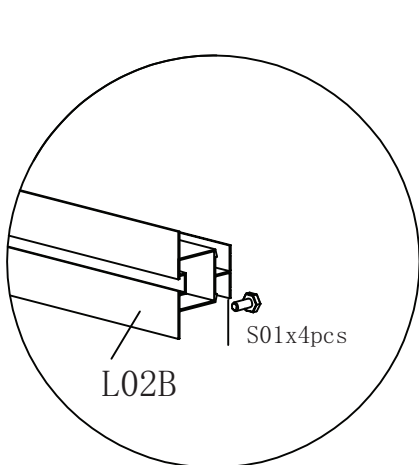
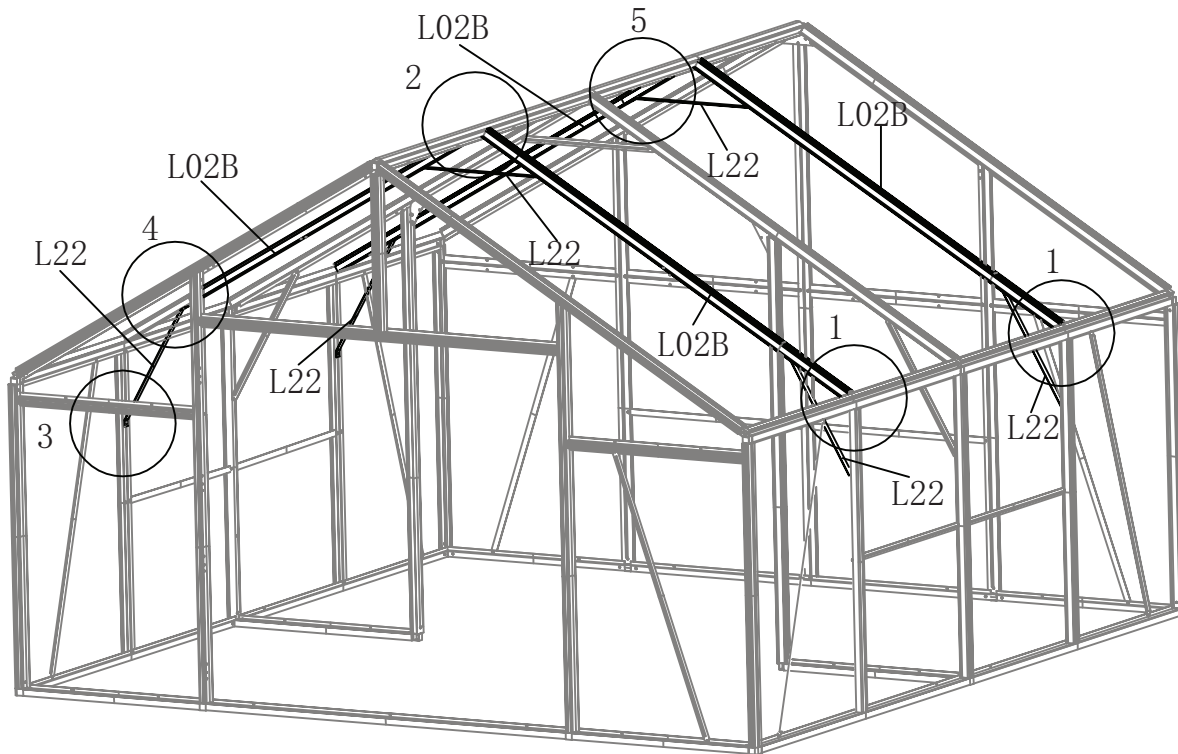




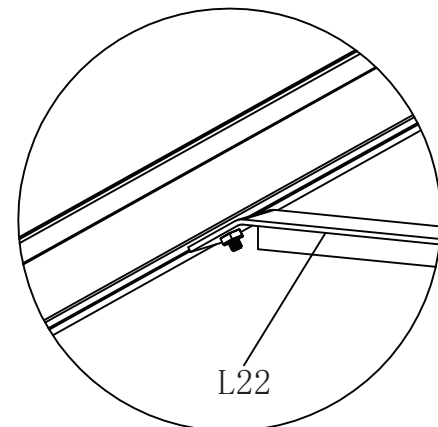
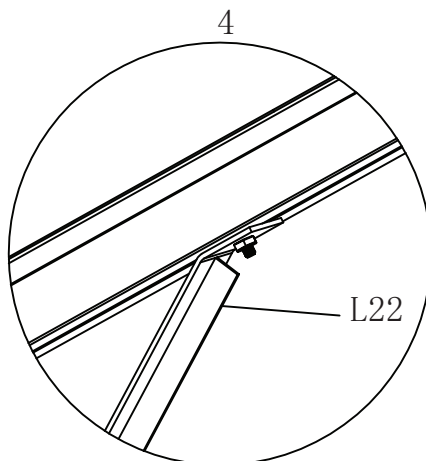
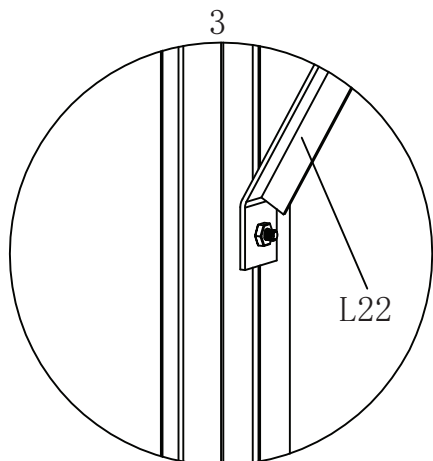




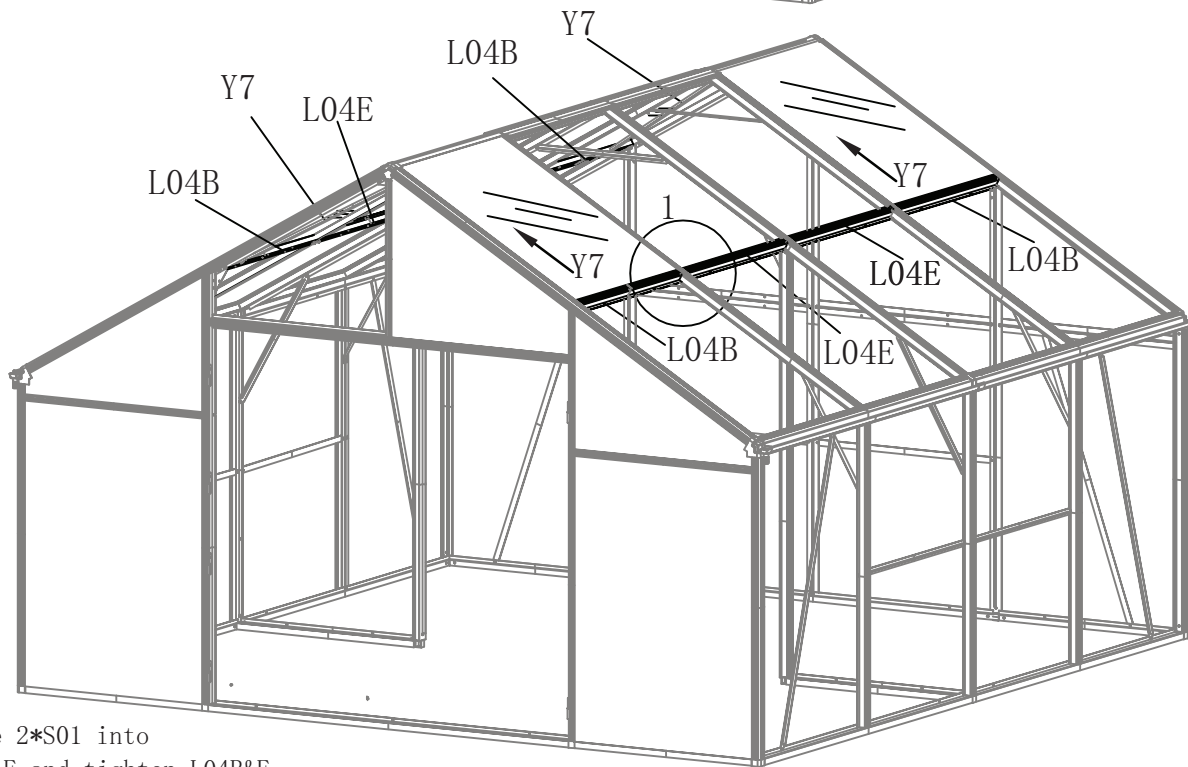
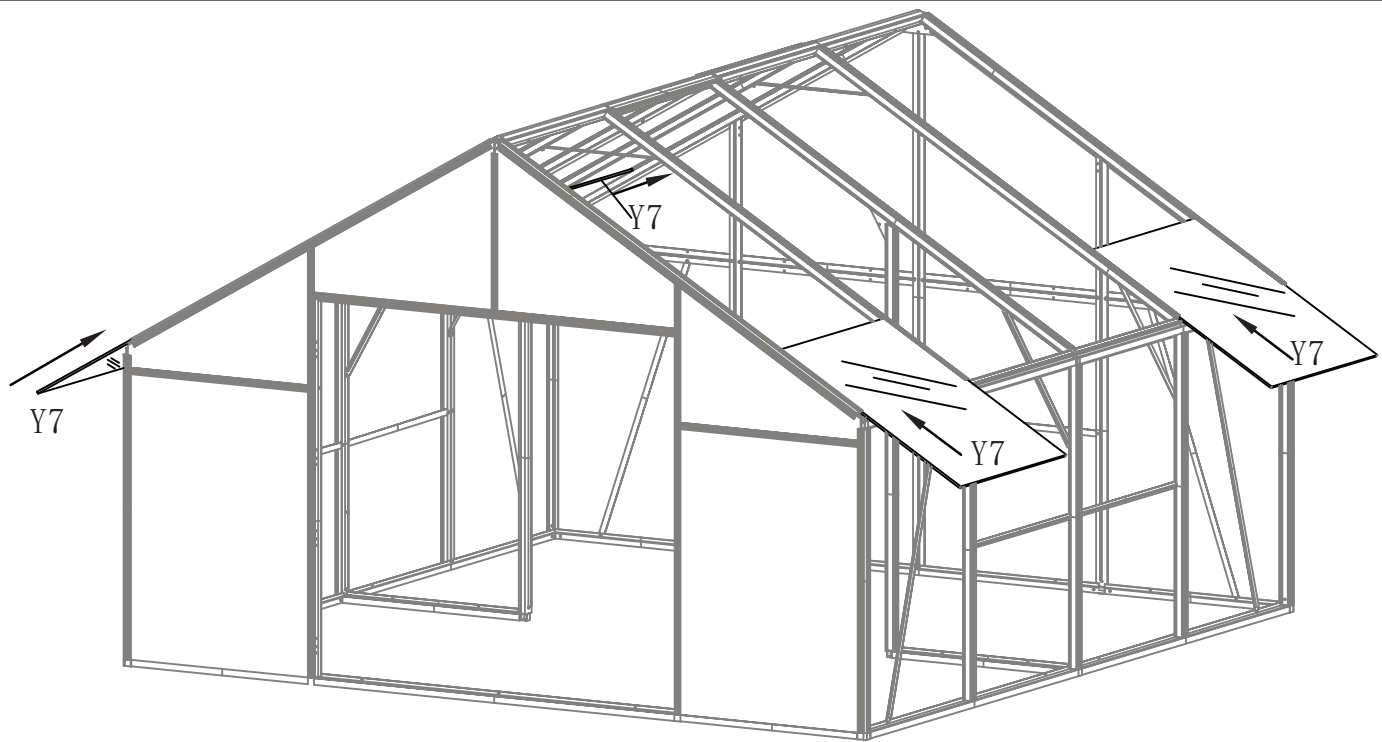
REPEAT the same assembly for the other side.



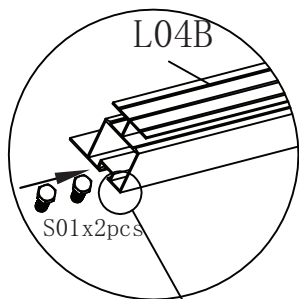
Note: Slide 4xS01 in the channel, which are needed later.



REPEAT the same assembly for the other side.

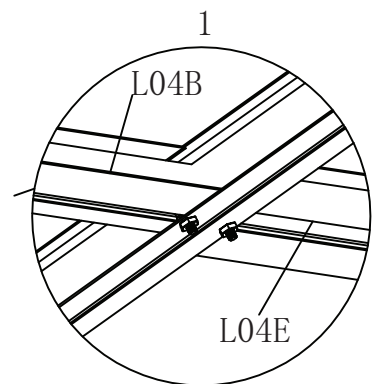
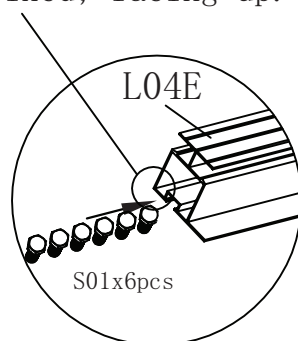


Slide 2*S01 into L04B&E, and tighten L04B&E at each end with S01

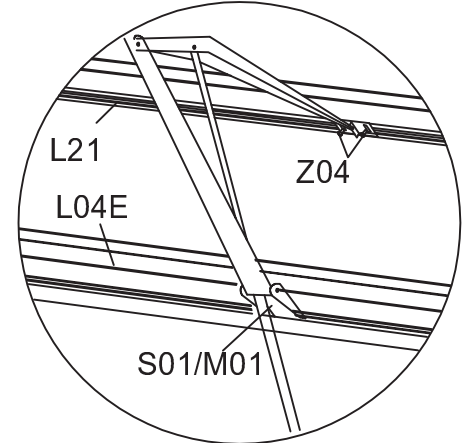
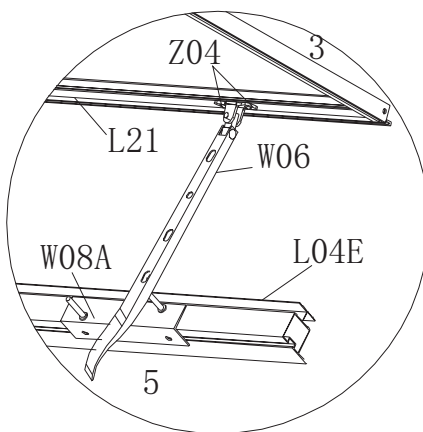
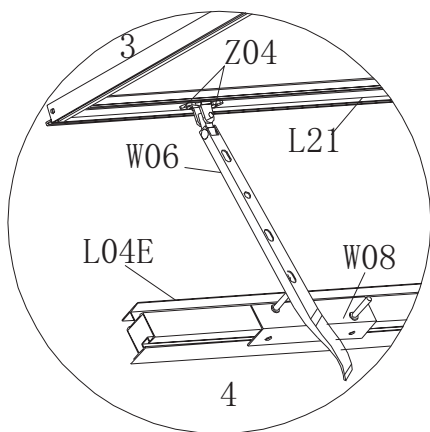
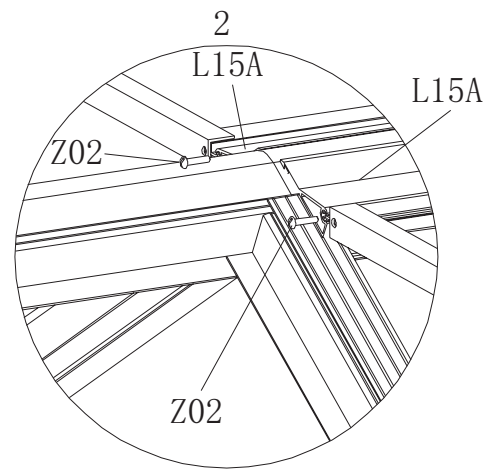
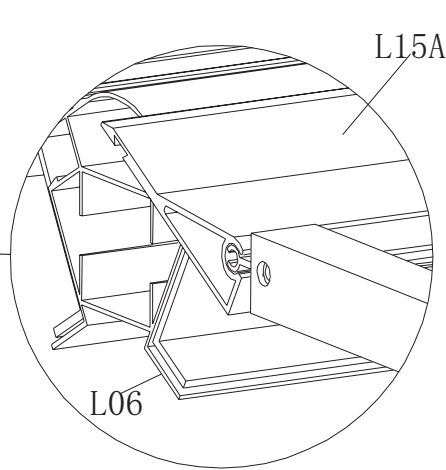
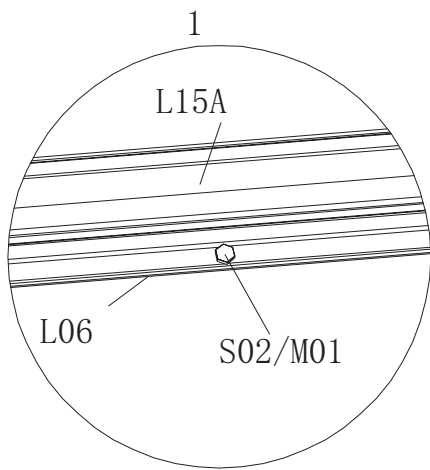
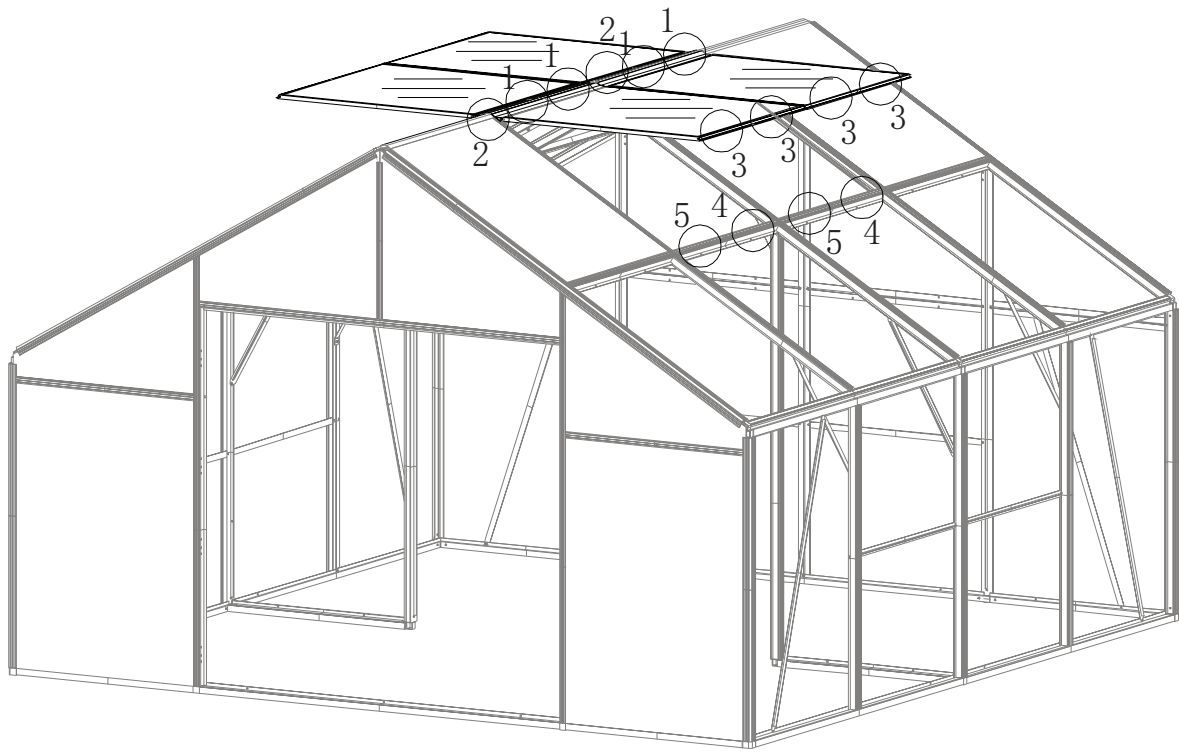


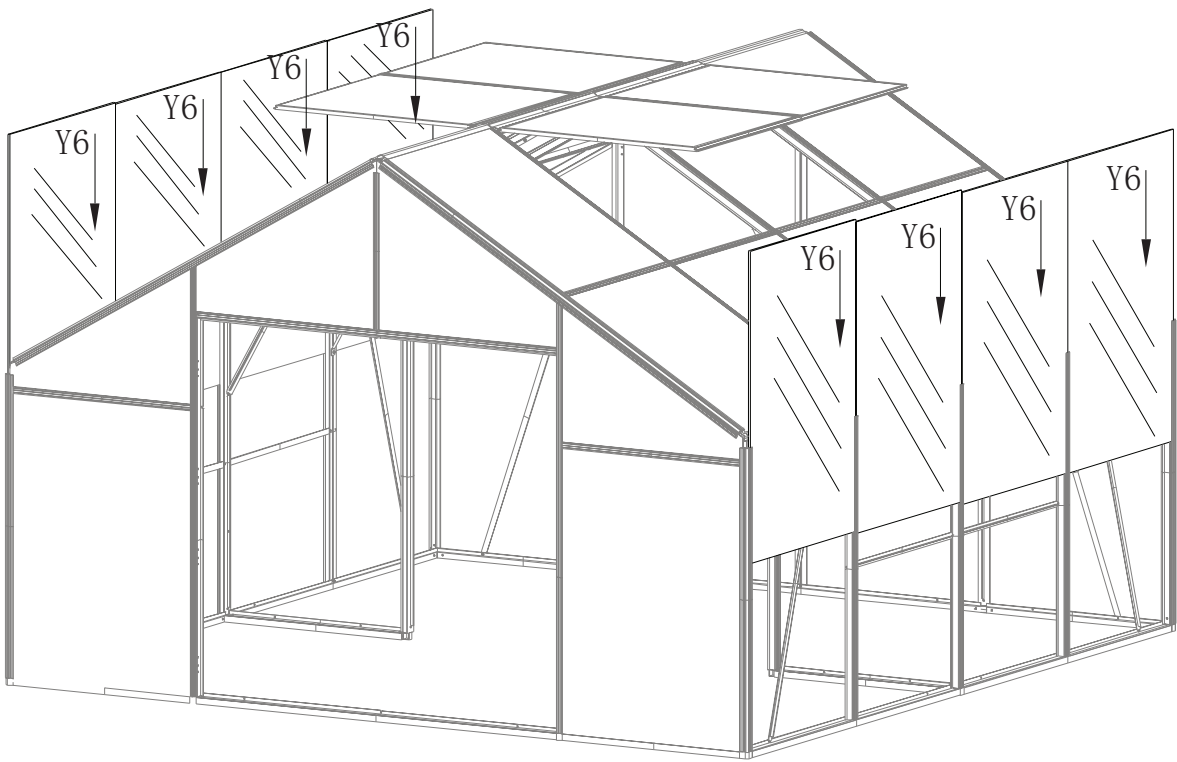
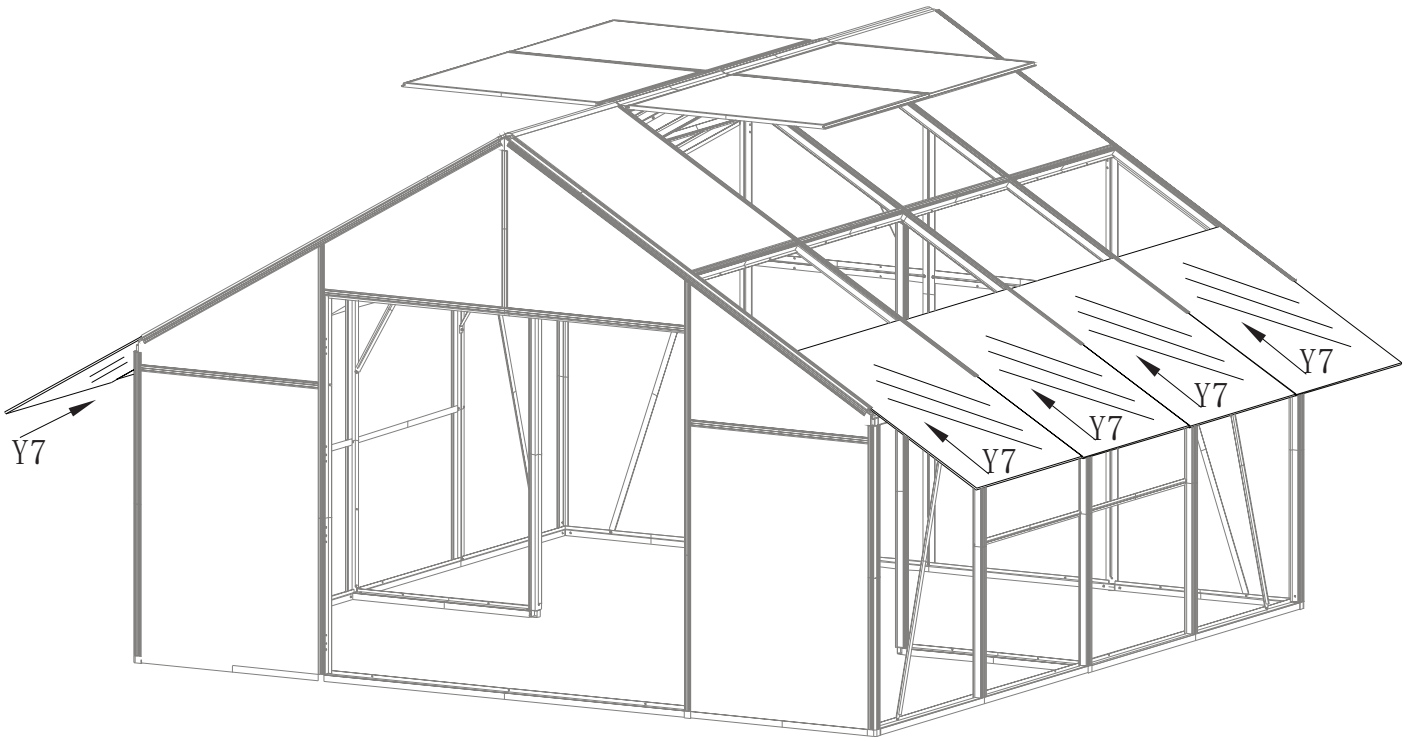
Pay attention to the cut edge of L04B which should be fixed, facing down.

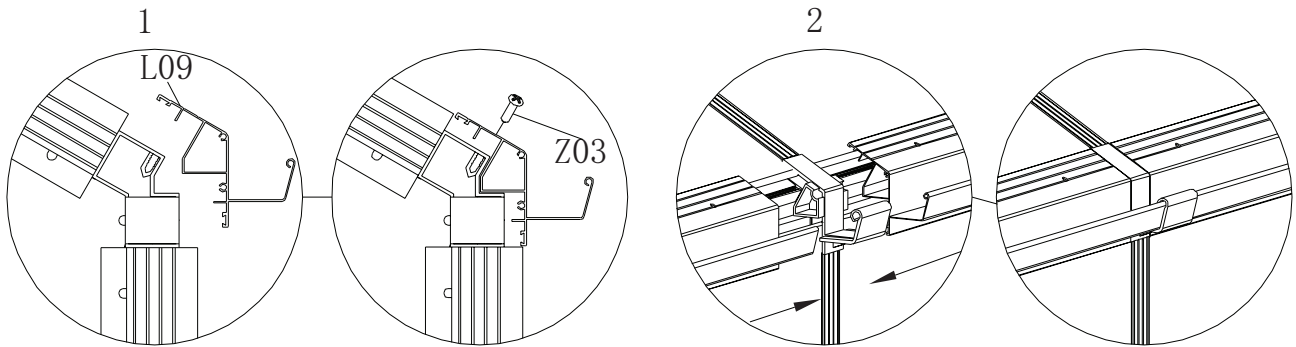
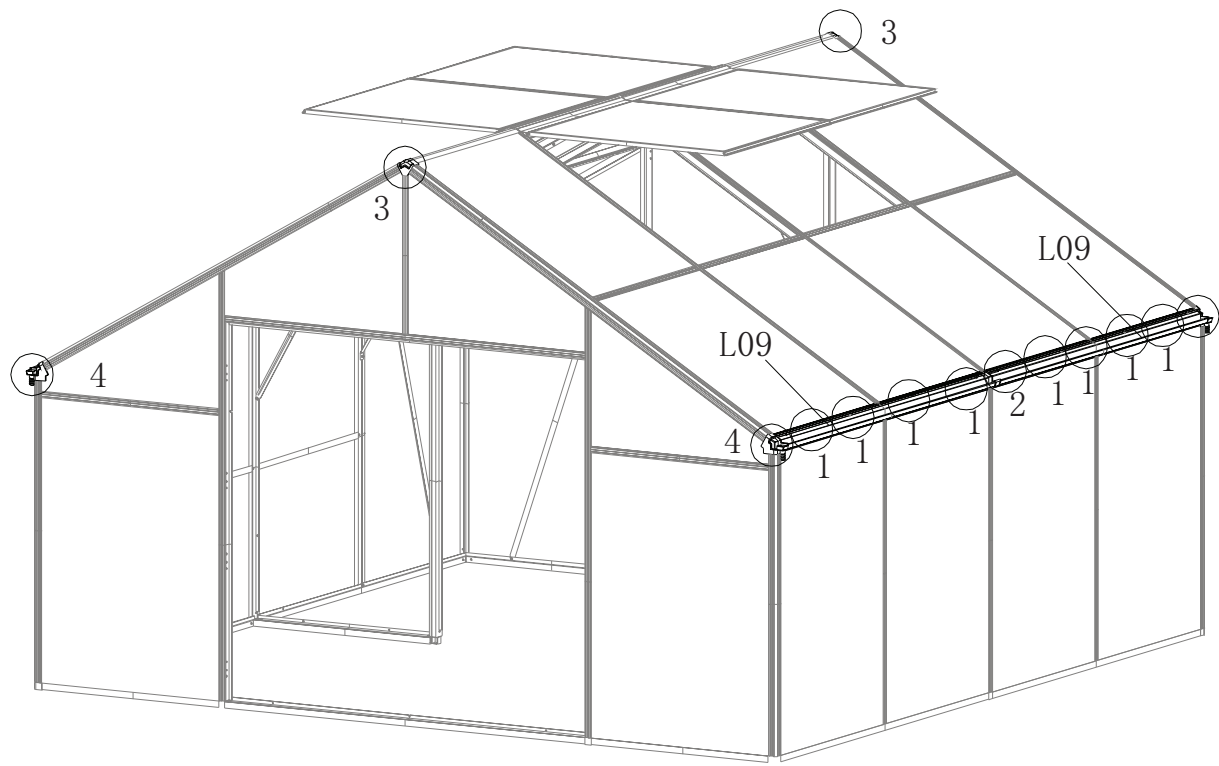
Pay attention to the cut edge of L04E which should be fixed, facing up.



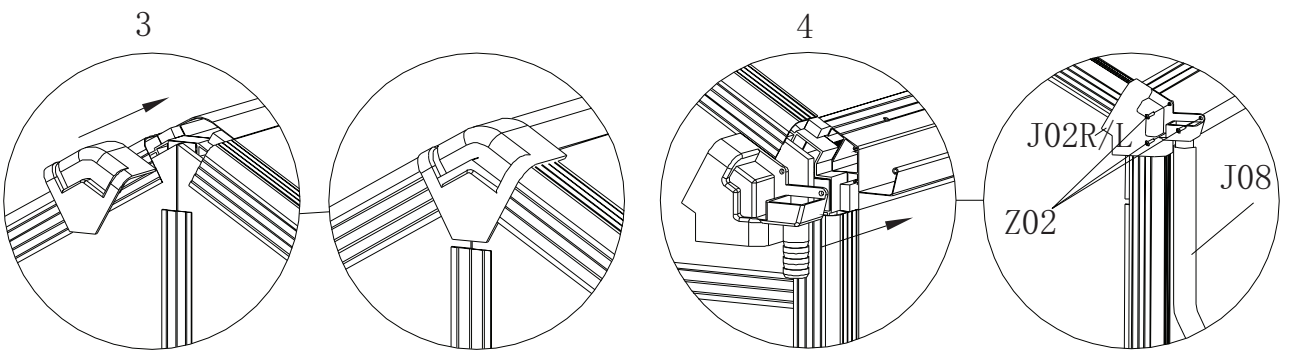
Note: Slide 6xS01 in the channel, which are needed later.







Use L09 to cover the edges of all Y9 after all roof PC panels are fixed in place, then tighten them with Z03.



REPEAT the same assembly for the other side.

