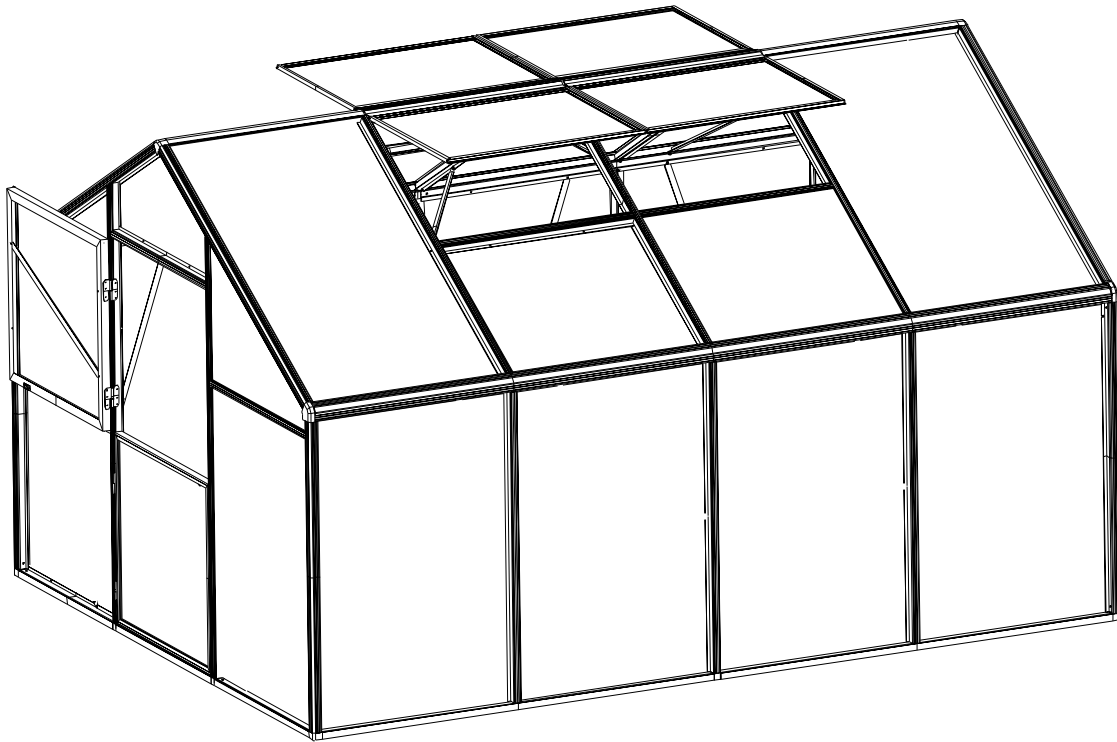


GROW MORE Greenhouses

Assembly Instructions



MODEL: GM8

GREENHOUSE SIZE: 10' 8 3/8"L x 8' 7/8"W x 7' 5"H
326cm L x 246cm W x 226cm H

EXTENSION SIZE: 5' 3"L x 8' 7/8"W x 7' 5"H
160cm L x 246cm W x 226cm H

PLEASE READ INSTRUCTIONS CAREFULLY BEFORE ASSEMBLY

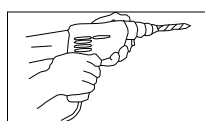
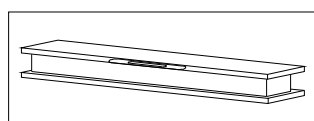
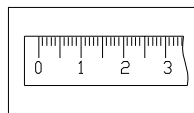
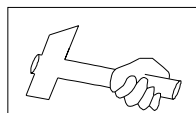
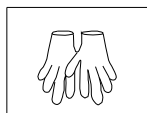
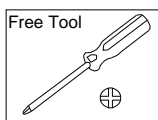
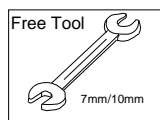
Item No.	Model No.	Packing List				
		AL No.1	AL No.2	AL No.3	PC No.1	PC No.2
2533050	GM8	1CTN <input type="checkbox"/>	1CTN <input type="checkbox"/>		1CTN <input type="checkbox"/>	2CTNS <input type="checkbox"/>
	GM8 ext			1CTN <input type="checkbox"/>		1CTN <input type="checkbox"/>

CONTENTS

1. Assembly Advice	Page 1
2. Product Features	Page 3 - 4
3. Parts List	Page 5 - 8
5. Base Assembly	Page 9 - 12
6. Door Assembly	Page 13 - 14
7. Roof Vent Assembly	Page 15
8. Framework & Panel Assembly	Page 16-32

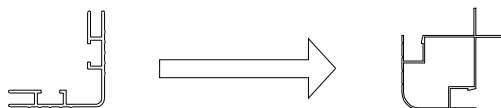
Assembly and Maintenance Advice

1. For safety purposes, we strongly recommend that the product will be assembled by at least two people.
2. Some parts have sharp edges. Please be careful when handling components. Always wear gloves, shoes and safety goggles during assembly.
3. DO NOT climb or stand on the roof, heavy articles should not be leaned against the greenhouse.
4. Keep roof and gutter clean of snow, dirt & leaves. Large amounts of snow on roof can damage the product, making it unsafe to stand below or nearby.
5. When your product needs cleaning, use a mild detergent solution and rinse with cold clean water. Do not use acetone, abrasive cleaners or other special detergents to clean the panels.

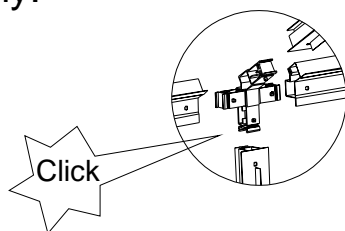


Functions and Features:

1. In comparison to a traditional greenhouse structure, all main profiles are manufactured in a square hollow section design, resulting in a stronger more weather resistant product.

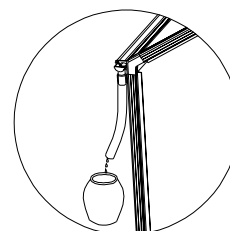


2. Easy and fast assembly.

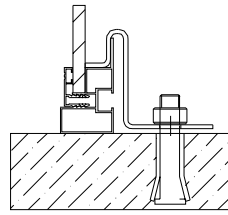


3. The unique design allows the greenhouse to be easily extended at any stage in 2m long sections as detailed in the table of Front Page;

4. The Grange Series greenhouses include gutters and aluminium downpipes to harvest the rainwater. You can also easily connect these to a suitable tank.

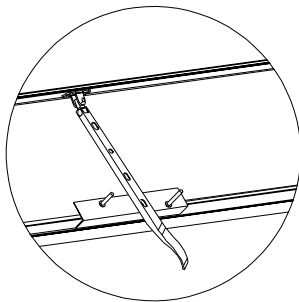


5. A steel base is not required as the aluminium base frame is fixed to the necessary concrete footings with the expansion bolts provided, alternatively you can easily secure it to a timber base with timber screws(not provided).

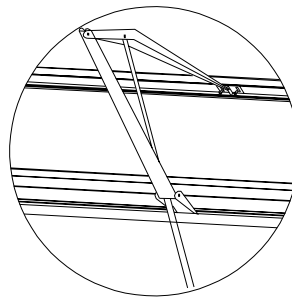


Expansion screw / Concrete ground

6. The Grange Series greenhouses come standard with Manual opening arms. Automatic openers can be purchased separately and fitted to any window vent. We recommend two automatic vent openers be fitted to each vent in the same positions the standard manual vent arms.



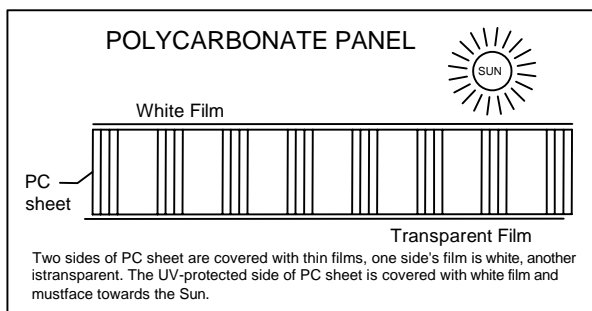
Manual opener



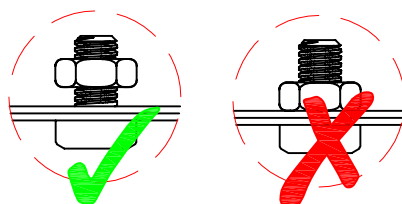
Automatic opener

7. Please ensure the roof vents are not installed into the end roof bays of the greenhouse as this is where you need the bracing.




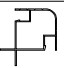
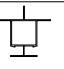
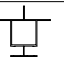
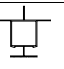
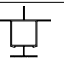
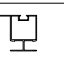
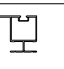
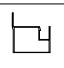








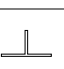

8. Each Polycarbonate Panel comes with UV protected properties. Please ensure the clear film with the text faces out, toward the sun. Remove both films before installation of the panels.



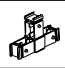



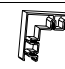
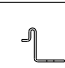
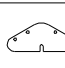
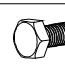

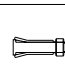
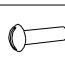
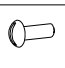


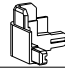
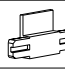




9. Nuts not to be tightened before the end of assembly! Unless otherwise stated, do not tighten the bolts/nuts/screws until the shed is finally erected!

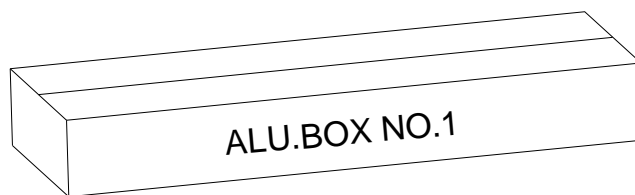


GM8 ALU BOX NO.1

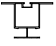


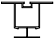












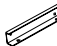








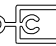
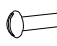


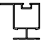


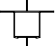
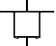


	PART	NO.	QTY.
1		L01A	3
		L01D	1
2		L01B	2
		L01C	2
3		L03E	1
		L03F	1
4		L03C	1
		L03D	1
5		L04A	1
		L04B	5
6		L08A	6
7		L18A	2
8		L18B	2
9		L18C	1
		L16A	1
		L16B	1
10		L16C	1
		L05G	4
		L05A	4
11		L05B	1
		L30	4

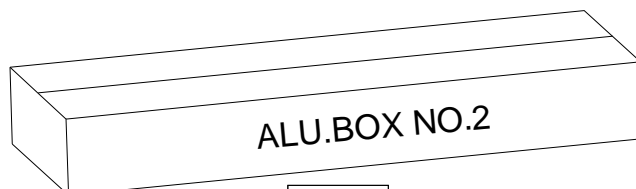
PART	NO.	QTY.
	A06	2
	A07	2
	A08	4
	A09	2
	A10	2
	A11	2
	A14	8
	D07	5
	D17	4
	S05 M6X12	46
	M03 M6	46
	S08 M8X60	5
	Z02 Ø4X16D	16
	Z09 Ø5X15	16

PART	NO.	QTY.
	J01R/L	2/2
	J03	4
	J02	2
	J06R/L	2/2
	J93	4
	J92	4

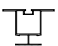
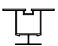













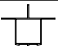
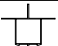









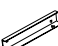





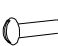


GM8 ALU BOX NO.2




PART	NO.	QTY.		PART	NO.	QTY.		PART	NO.	QTY.
1		L02A	4		A08	2			J03	2
2		L02B	4		A12	2			J04	1
3		L05B	4		A13	1			J07	2
		L05C	4		D07	8				
		L05D	4		A01	8				
4		L06	2		A69	4				
5		L07	4		A70	4				
6		L08B	4		S05 M6X12	82				
7		L09	4		S08 M8X60	8				
8		L15A	4		S11 M6X20	8				
9		L19	8		M03 M6	90				
		L20	4		Z02 Ø4X16D	24				
		L21	4		Z04 Ø4X8	16				
10		L04E	4		Z10 Ø5X30	16				
11		L22	6							
12		L03A	2							
13		L03B	2							
14		L05E	2							
		L05F	4							

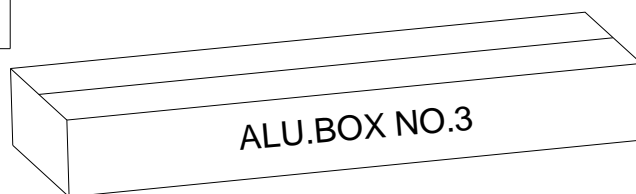


GM8-2EXT. ALU BOX NO.3

	PART	NO.	QTY.
1		L02A	2
2		L02B	2
3		L05B	2
		L05C	2
		L05D	2
4		L06	1
5		L07	2
6		L08B	2
7		L09	2
8		L15A	2
9		L19	4
		L20	2
		L21	2
10		L04E	2
11		L22	3
12		L03A	2
13		L03B	2
14		L05E	2
		L05F	4


	PART	NO.	QTY.
		A08	2
		A12	2
		A13	1
		D07	4
		A01	4
		A69	2
		A70	2
		S05 M6X12	44
		S08 M8X60	4
		S11 M6X20	4
		M03 M6	48
		Z02 Ø4X16D	12
		Z04 Ø4X8	8
		Z10 Ø5X30	8

	PART	NO.	QTY.
		J03	2
		J04	1
		J07	2







PC Box No. 1





Door Assembly

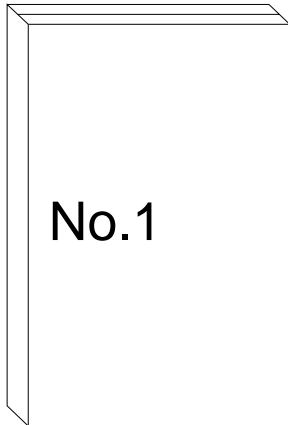
PART	NO.	QTY.
	Y11	2

Front Assembly

PART	NO.	QTY.
	Y1	1
	Y2	2
	Y4	1
	Y5	1

Back Assembly

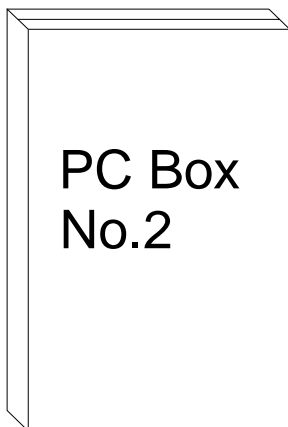
PART	NO.	QTY.
	Y1	1
	Y2	3
	Y4	1
	Y3	1

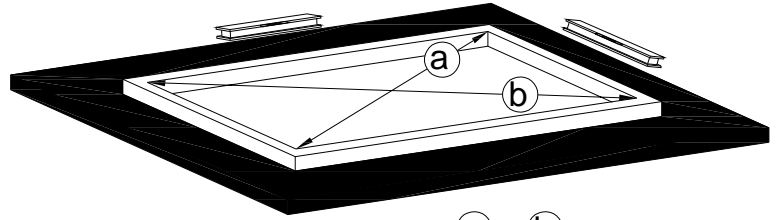
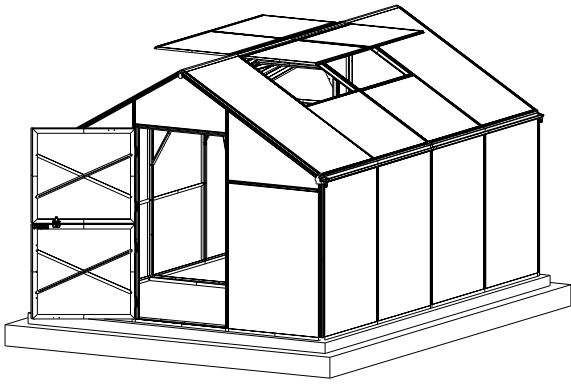


PC Box No. 2

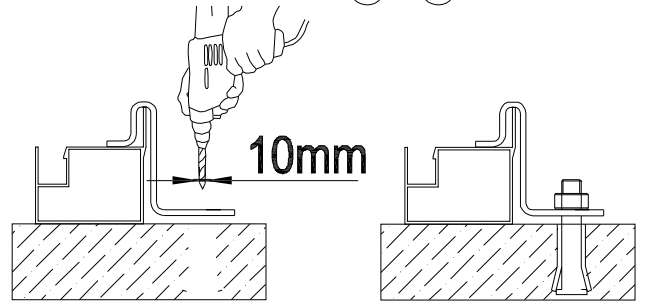
1X2 Sections Assembly

PART	NO.	QTY.
	Y6	4
	Y7	2
	Y9	2
	Y10	2





$a = b$

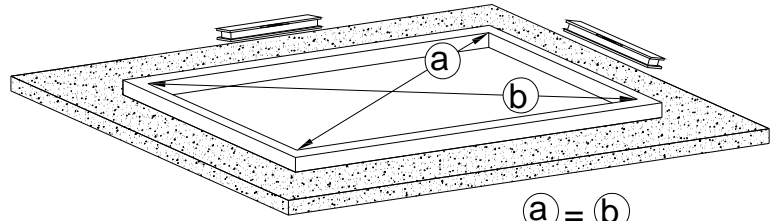
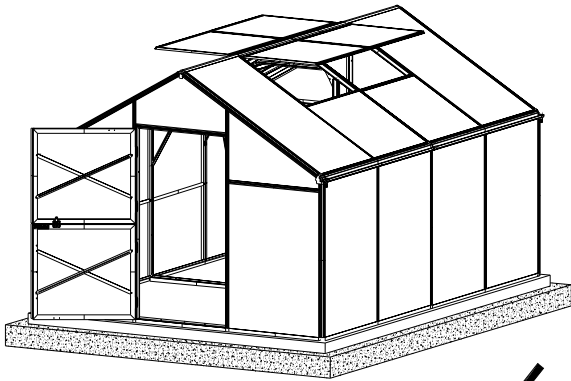


10mm

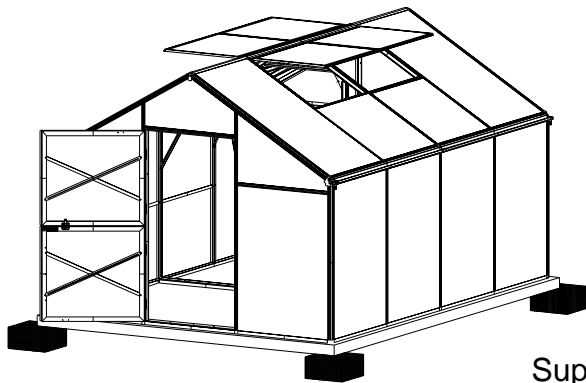
Expansion screw
/ Concrete ground



* It is crucial the $a + b$ dimensions are the same to ensure the base is square.



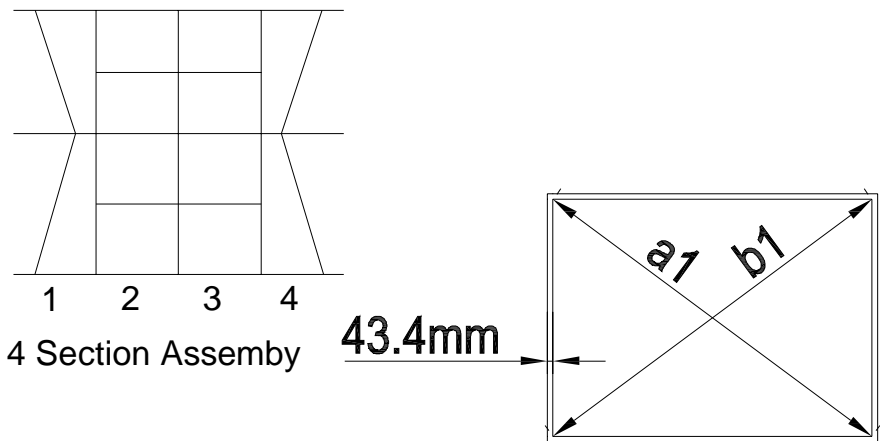
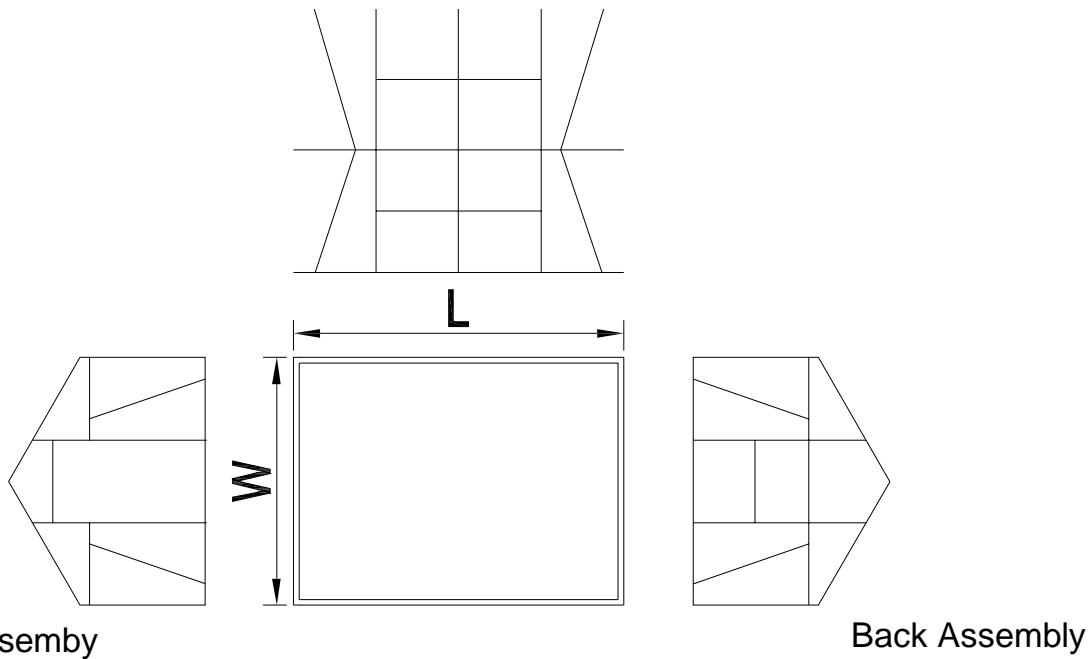
$a = b$



Support at the corners only is not adequate.



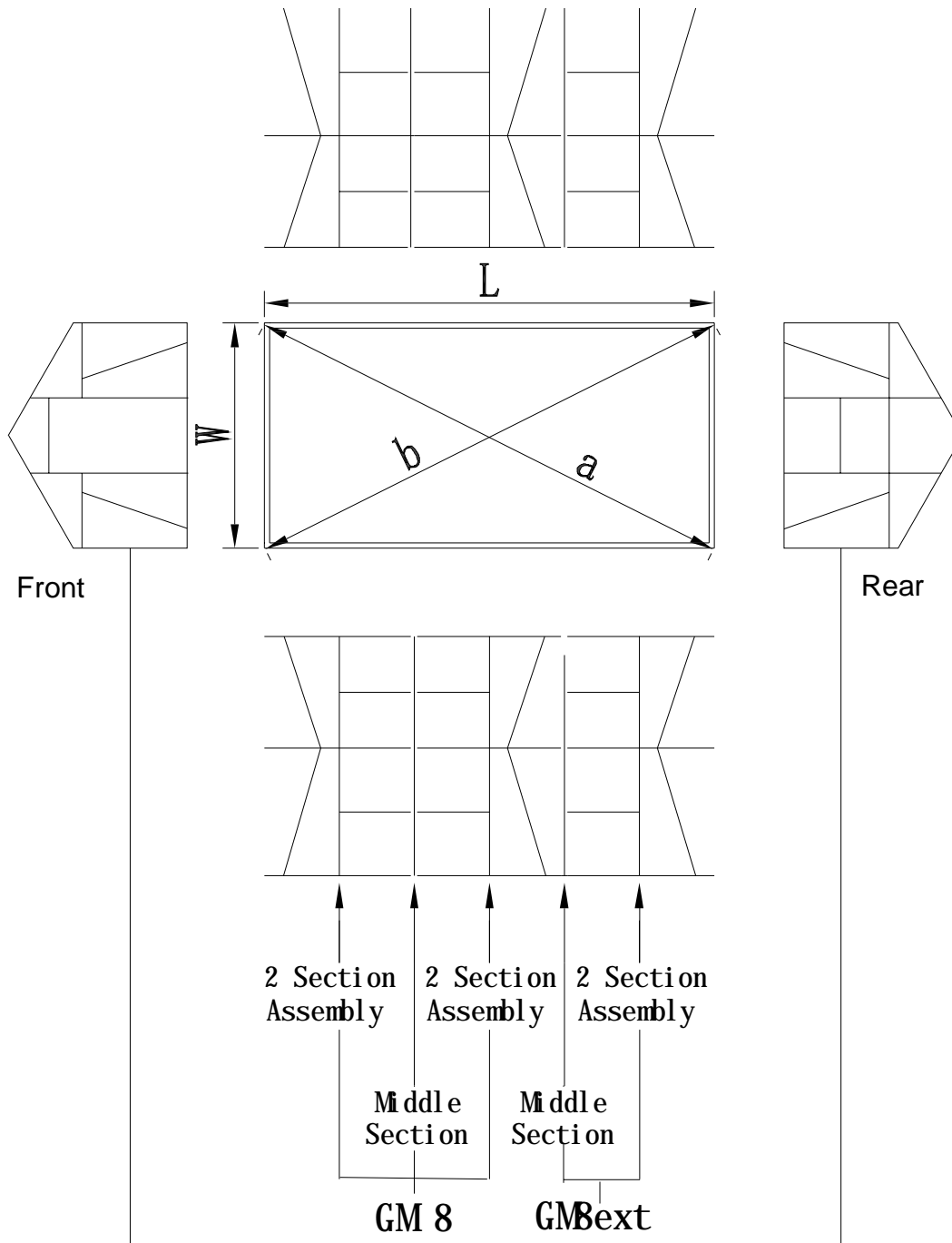
GM8



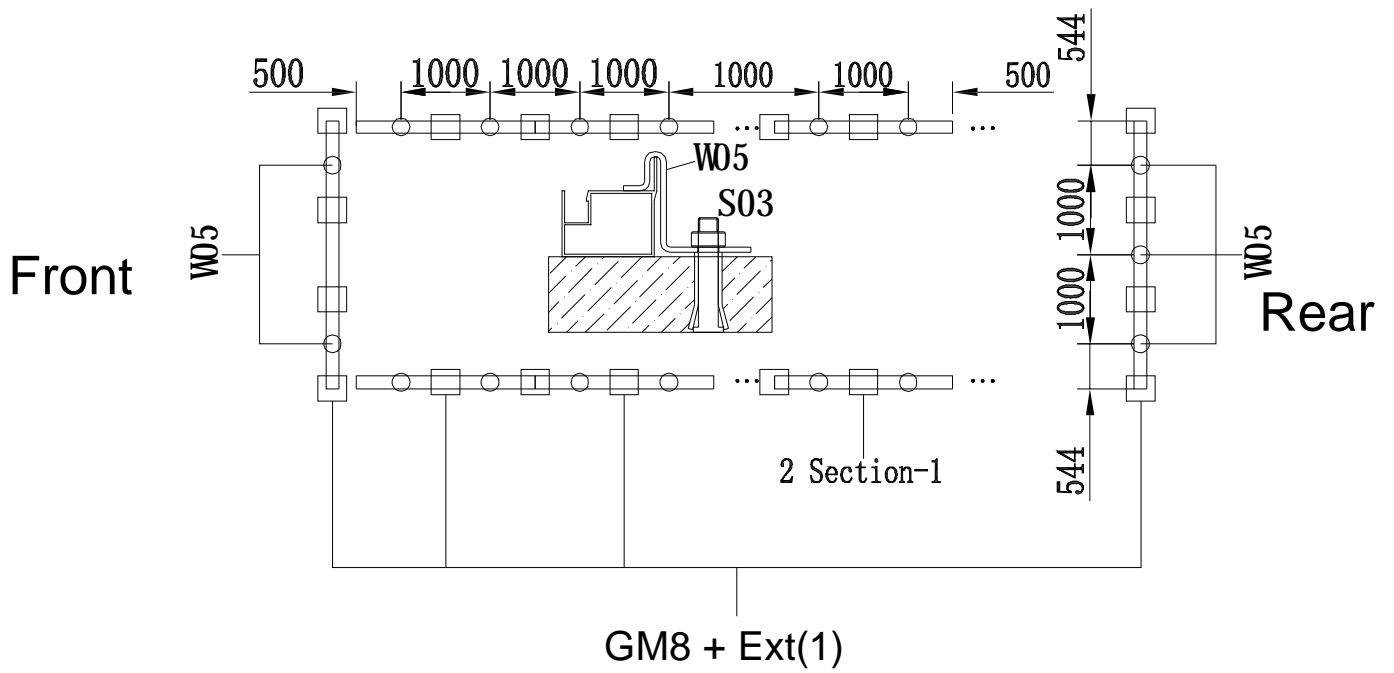
Dim/Model	GMB	GMB+Ext(1)	GMB+Ext(2)	GMB+Ext(3)	GMB+Ext(4)	etc.
W (mm)	2458.8	2458.8	2458.8	2458.8	2458.8	
L (mm)	3259.8	4861.8	6463.8	8065.8	9667.8	
a=b(mm)	4083.1	5448.2	6915.7	8432.3	9975.6	
a1=b1(mm)	3961.6	5331.7	6803.9	8324.1	9870.3	

- * W= Outer Width of Base Profiles
- * L= Outer Length of Base Profiles
- * a=b= Outer Diagonal of Base Profiles
- * a1=b1= Inner Diagonal of Base Profiles

GM8 + Ext(1)



* The basic model, GM8, can be easily extended by adding a '2 Section Assembly' each time for a longer size

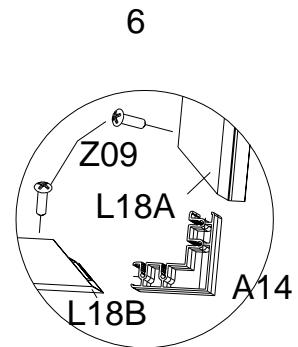
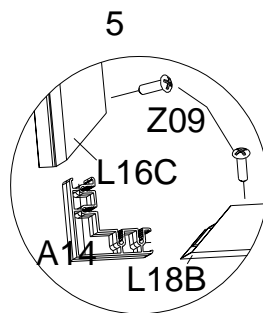
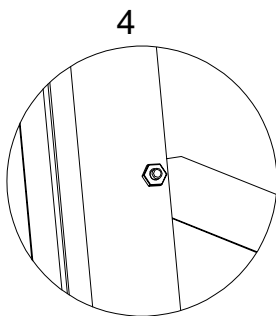
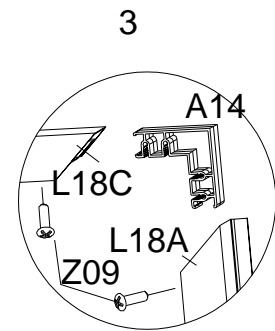
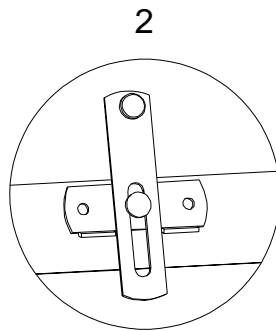
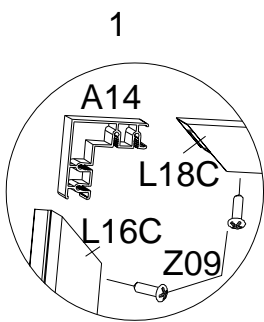
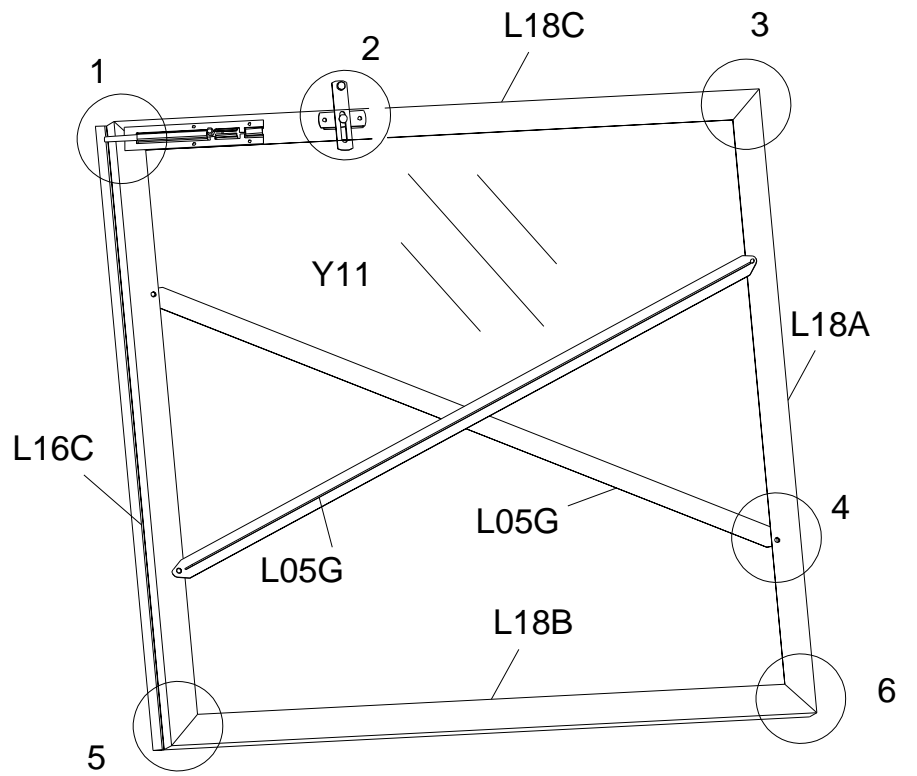


* This shows a layout for W05's positions where it is placed in the middle of PC panel for each section.

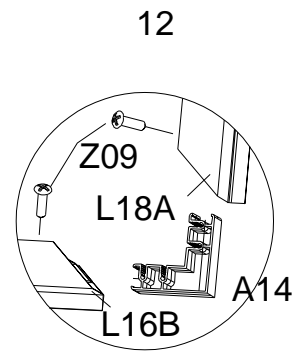
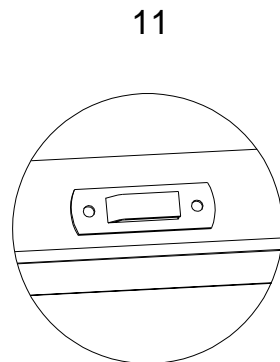
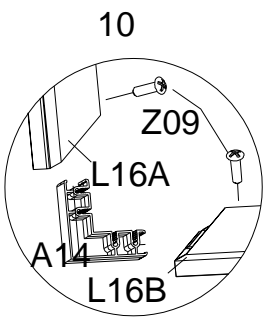
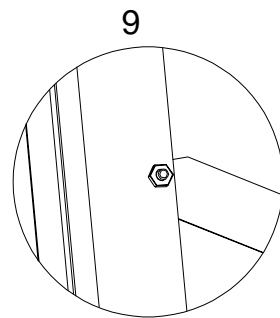
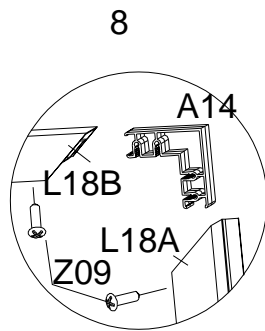
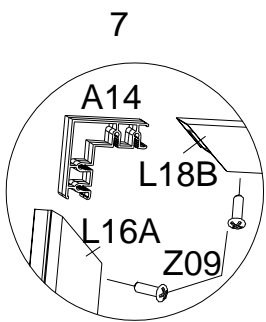
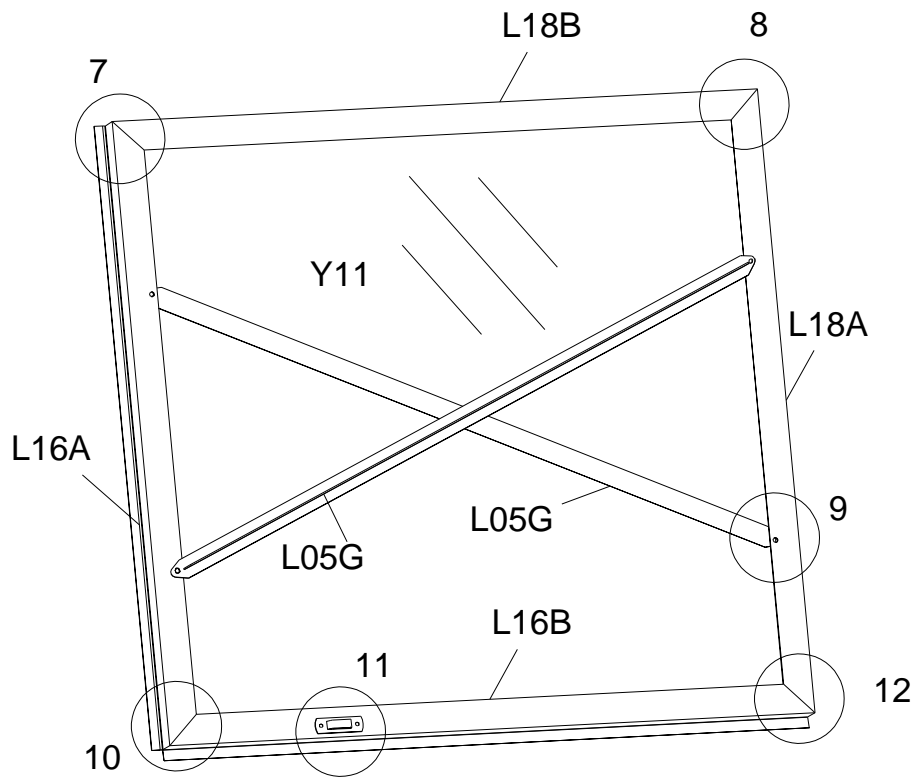
* All measurements in above diagram are in mm.






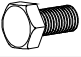

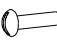


PART	NO.	QTY.
	L18A	2
	L18B	2
	L18C	1
	L16A	1
	L16B	1
	L16C	1
	L05G	4
	A14	8
	S05	8
	M6X12	8
	M03	8
	M6	8
	Z09	16
	Ø5X15	16
	Y11	2

Door 1 Assembly

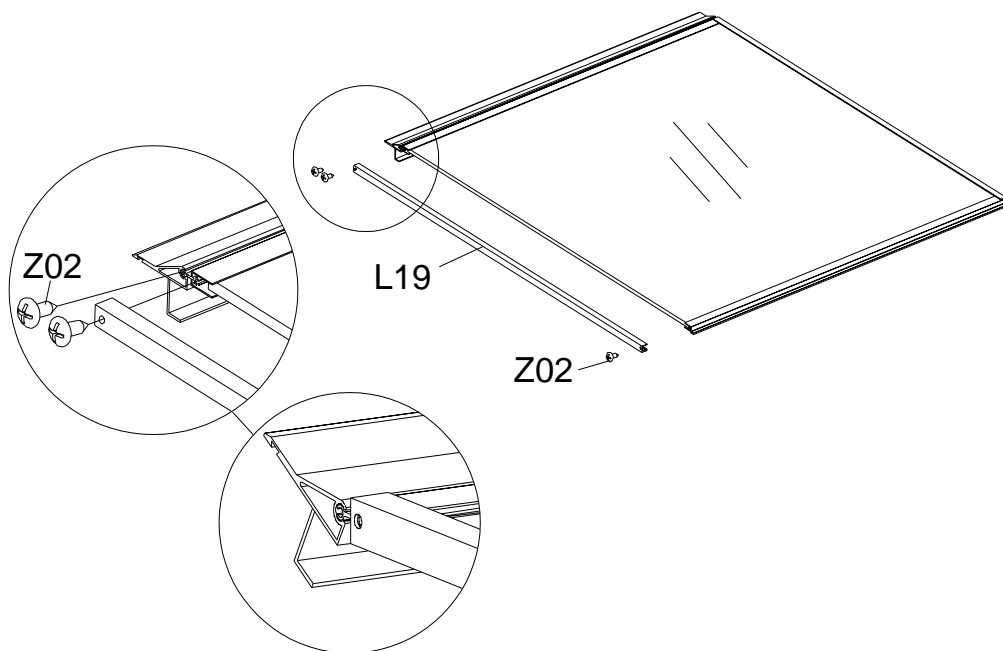
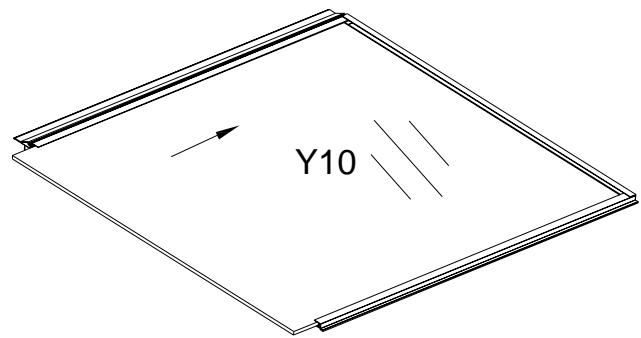
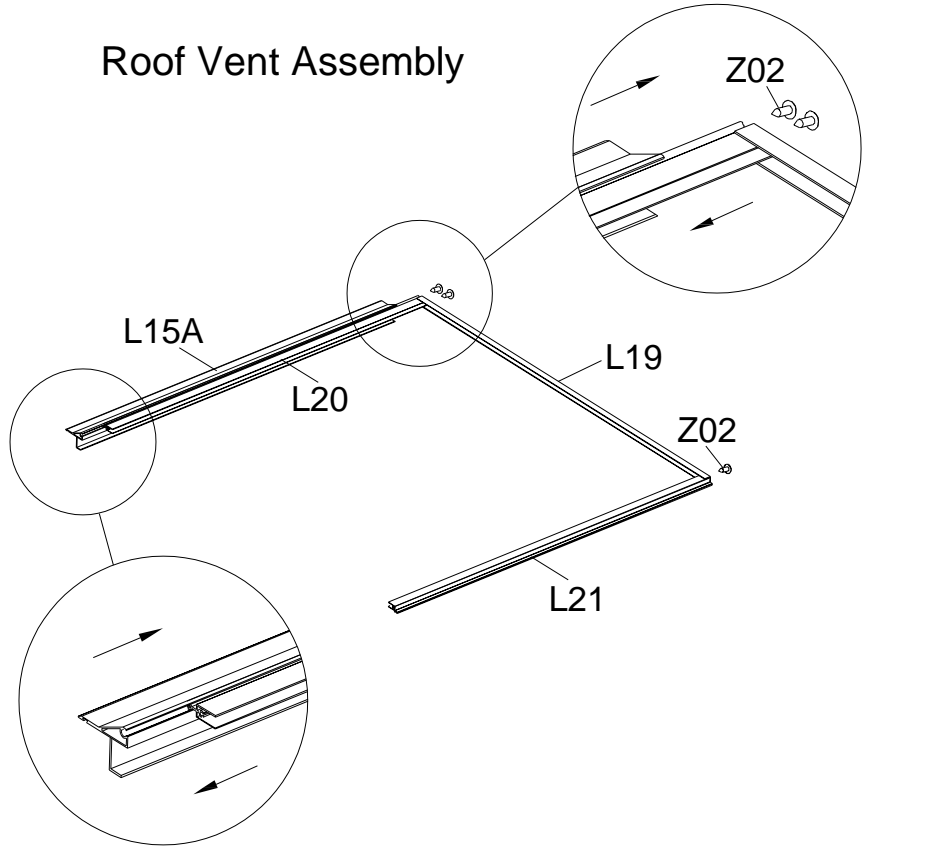


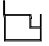
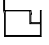


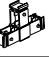


Door 2 Assembly

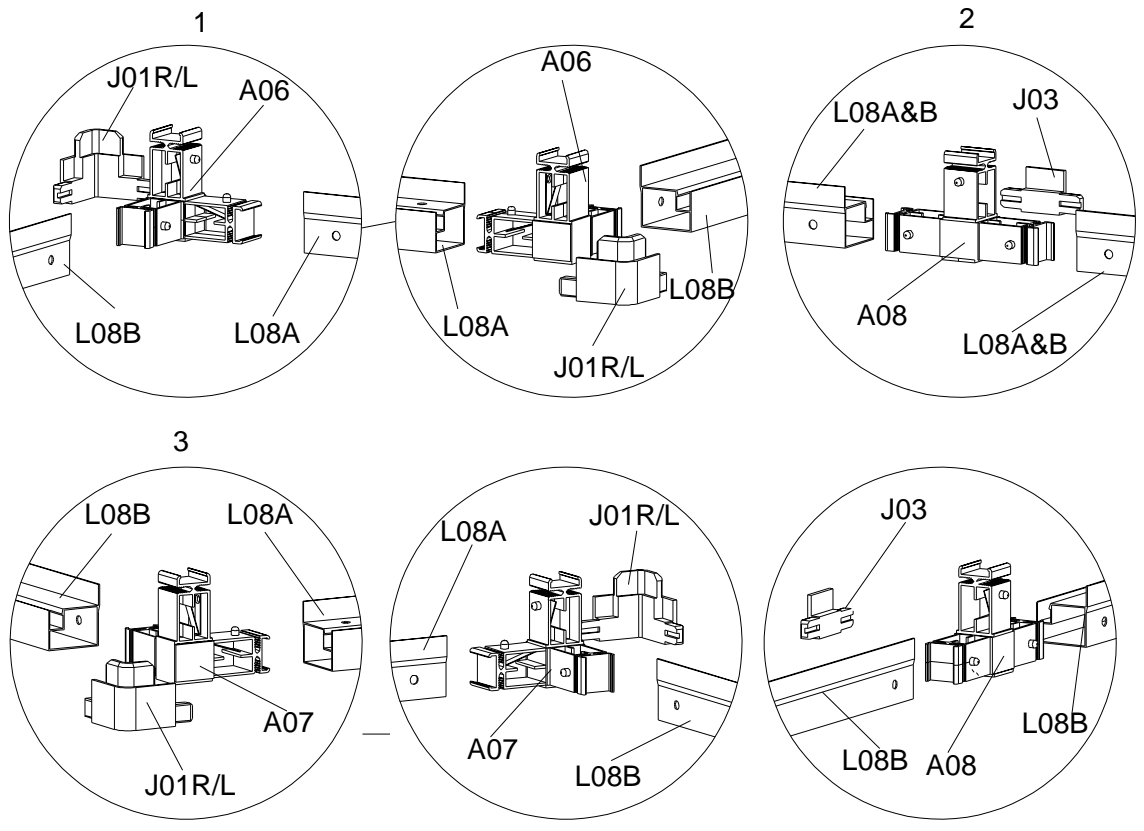
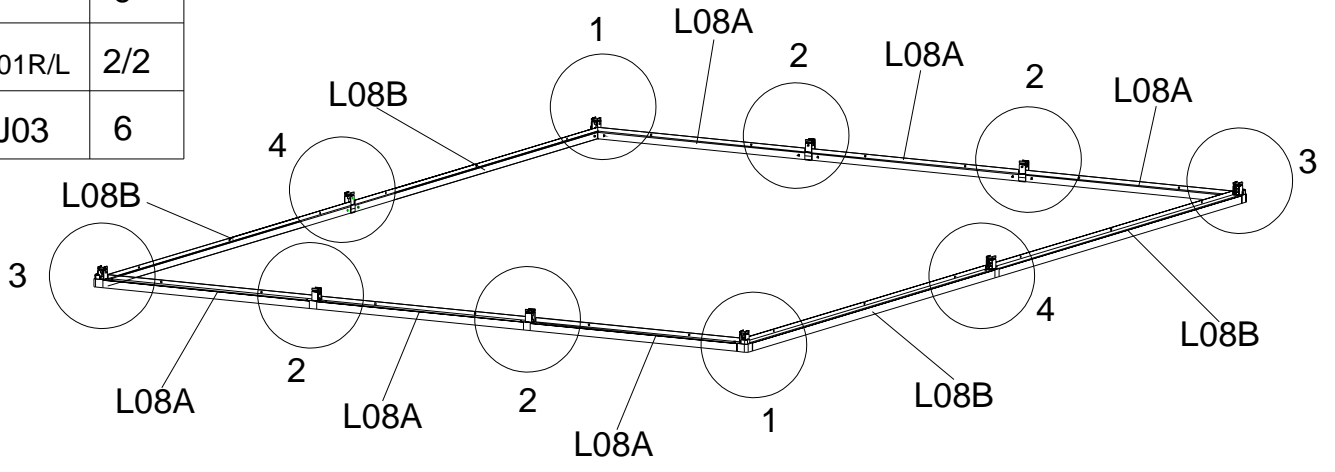


PART	NO.	QTY.
	L15A	1
	L19	2
	L20	1
	L21	1
	A01	2
	S11 M6X20	2
	M03 M6	2
	Z02 Ø4X16D	6
	Z04 Ø4X8	4
	Y10	1

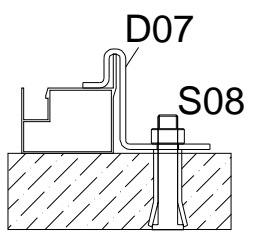
Roof Vent Assembly


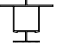
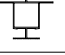
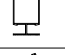
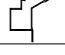





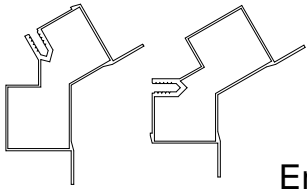
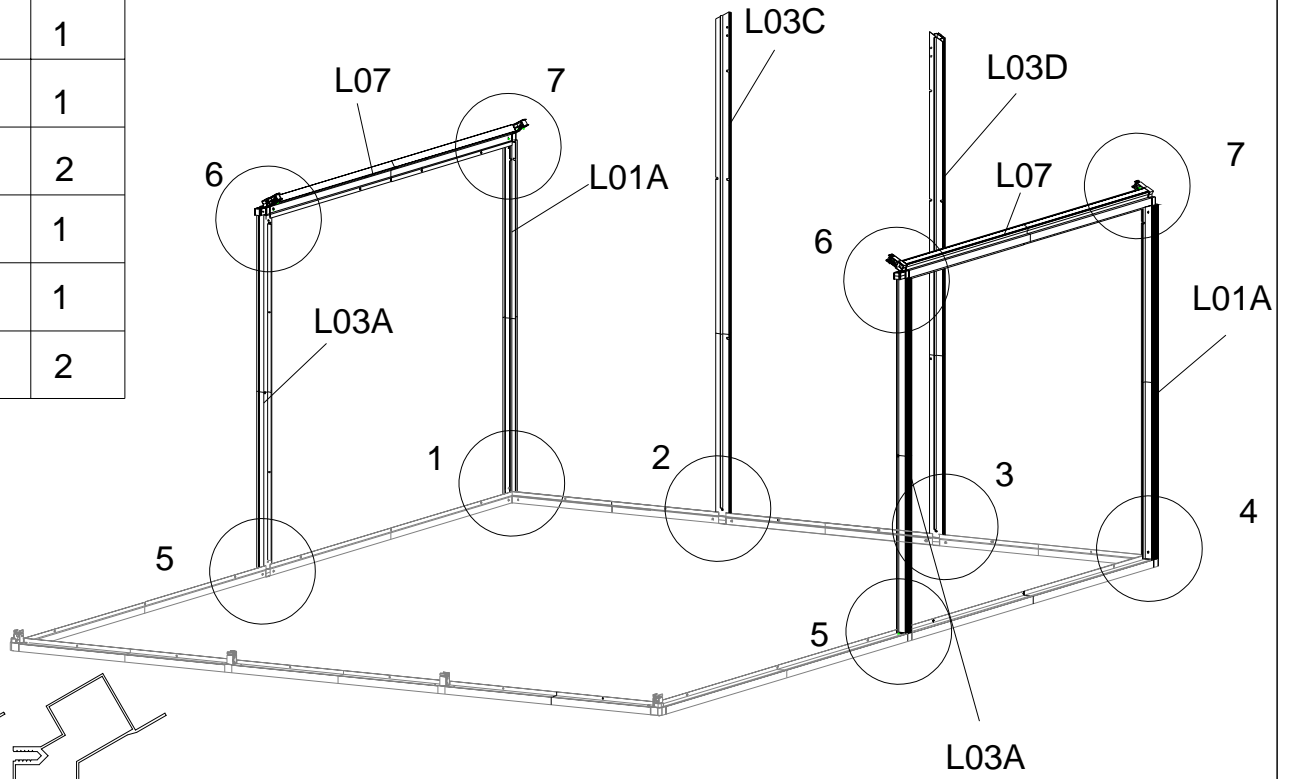
PART	NO.	QTY.
	L08A	6
	L08B	4
	A06	2
	A07	2
	A08	6
	J01R/L	2/2
	J03	6



Assemble all D07 followed by previous Page 16 after each base profile is connected.

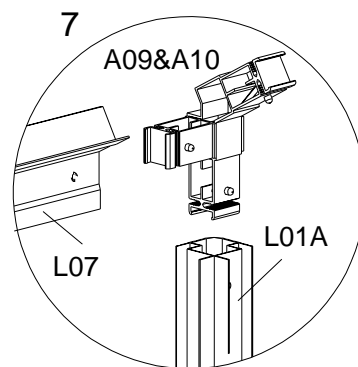
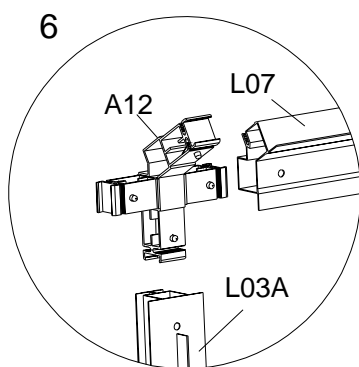
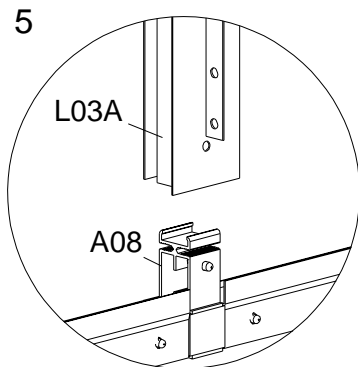
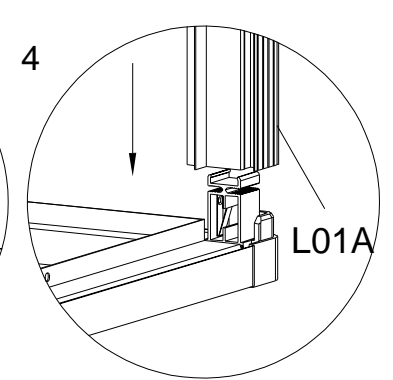
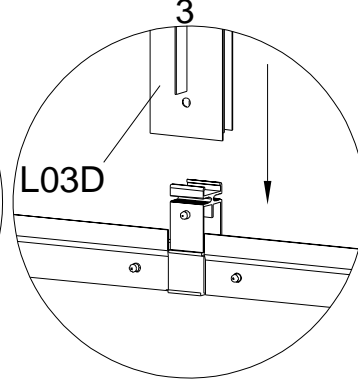
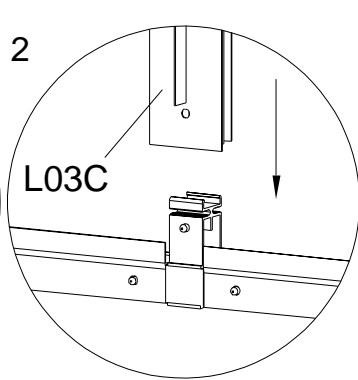
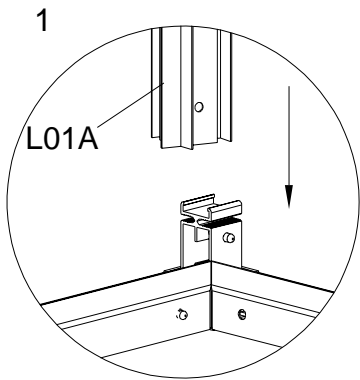


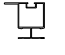
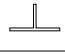




PART	NO.	QTY.
	L01A	2
	L03A	2
	L03C	1
	L03D	1
	L07	2
	A09	1
	A10	1
	A12	2

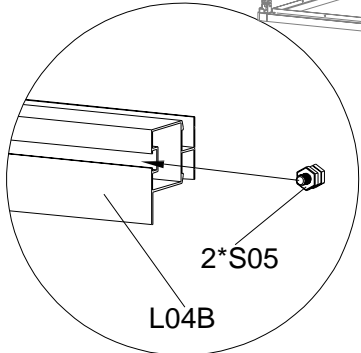
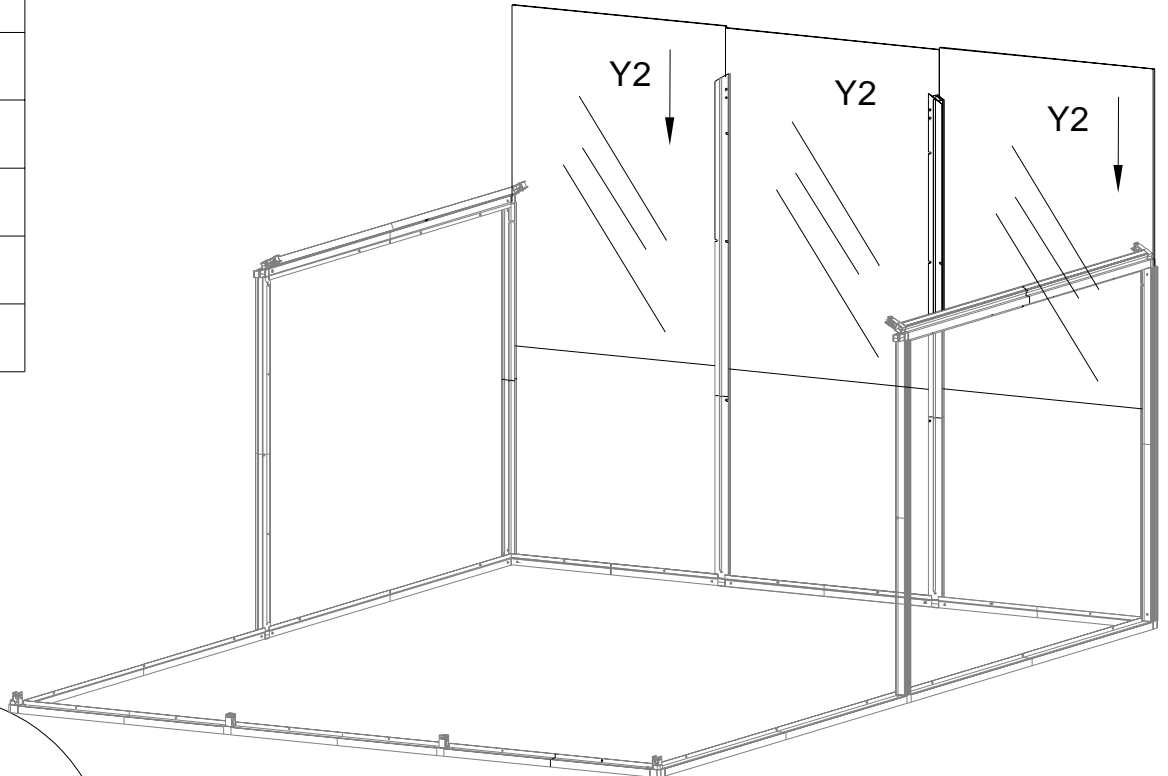


Ensure orientation of the L07 profile is correct as per detail.

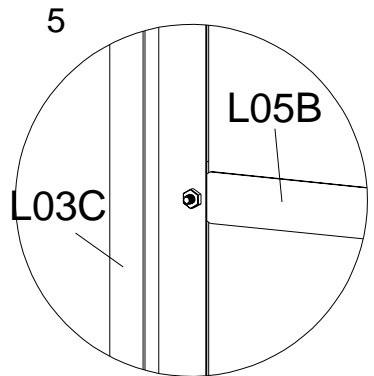
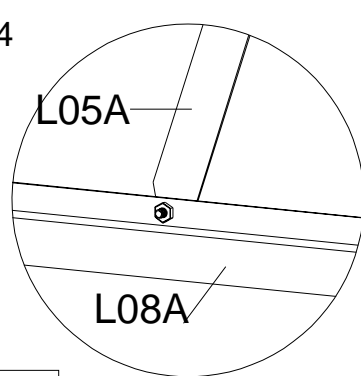
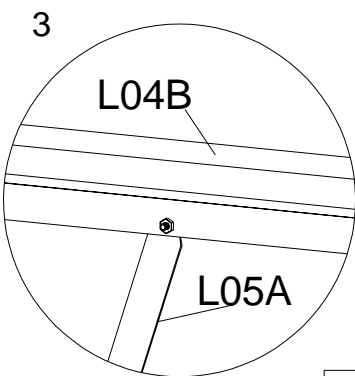
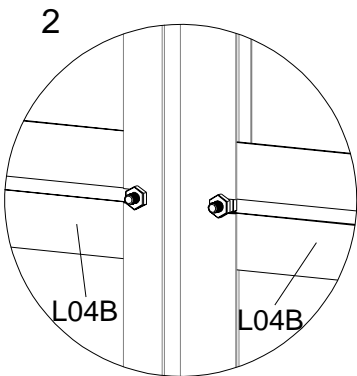
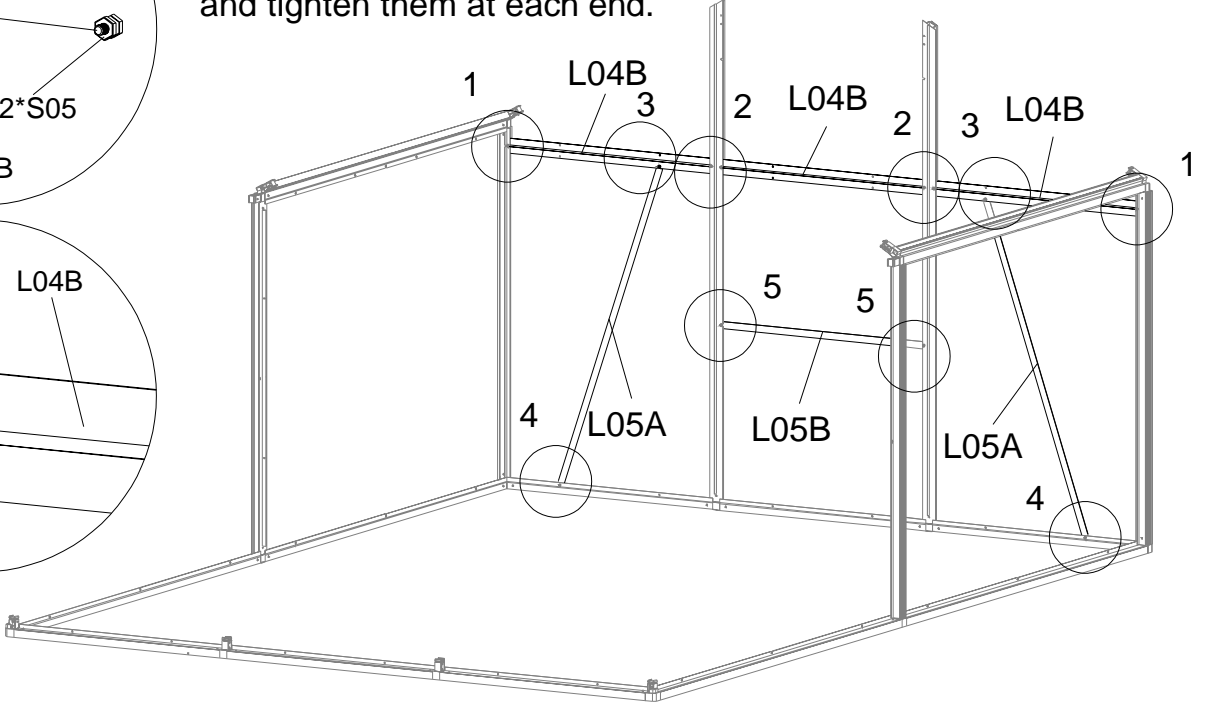
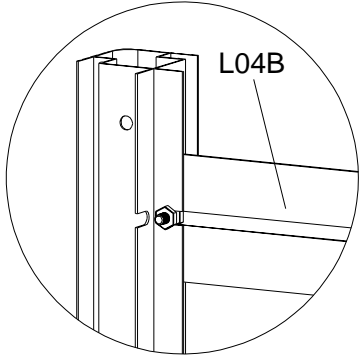
✓ CORRECT
✗ WRONG

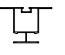
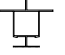







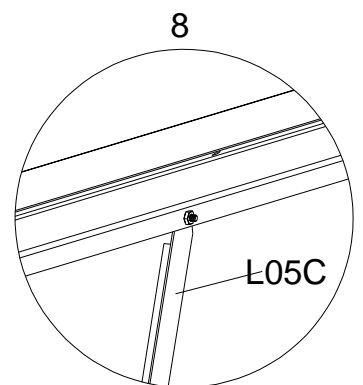
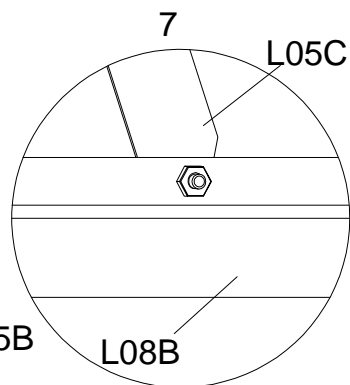
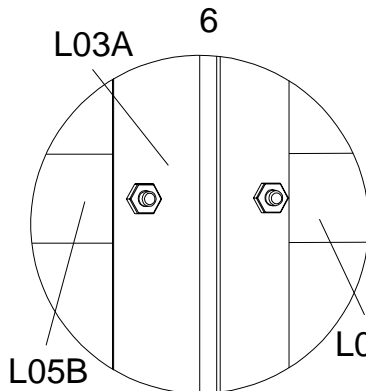
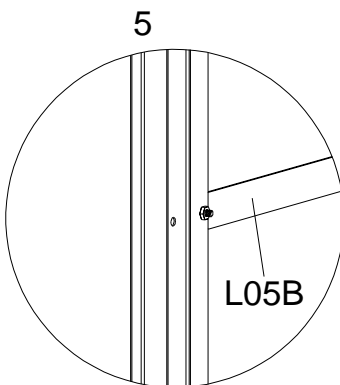
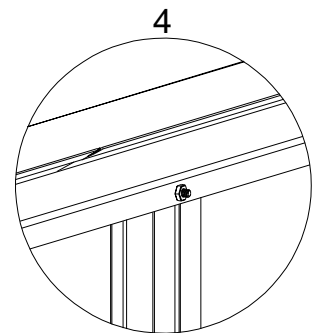
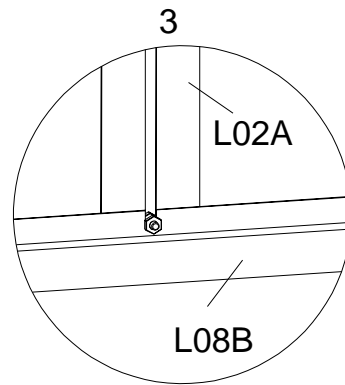
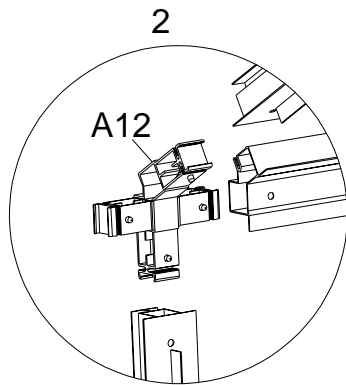
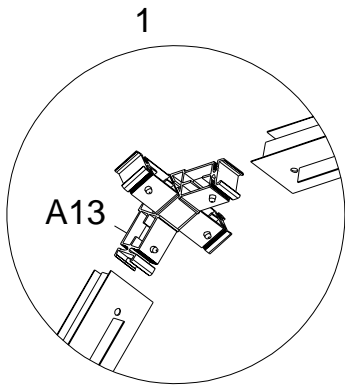
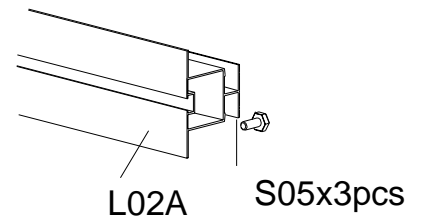
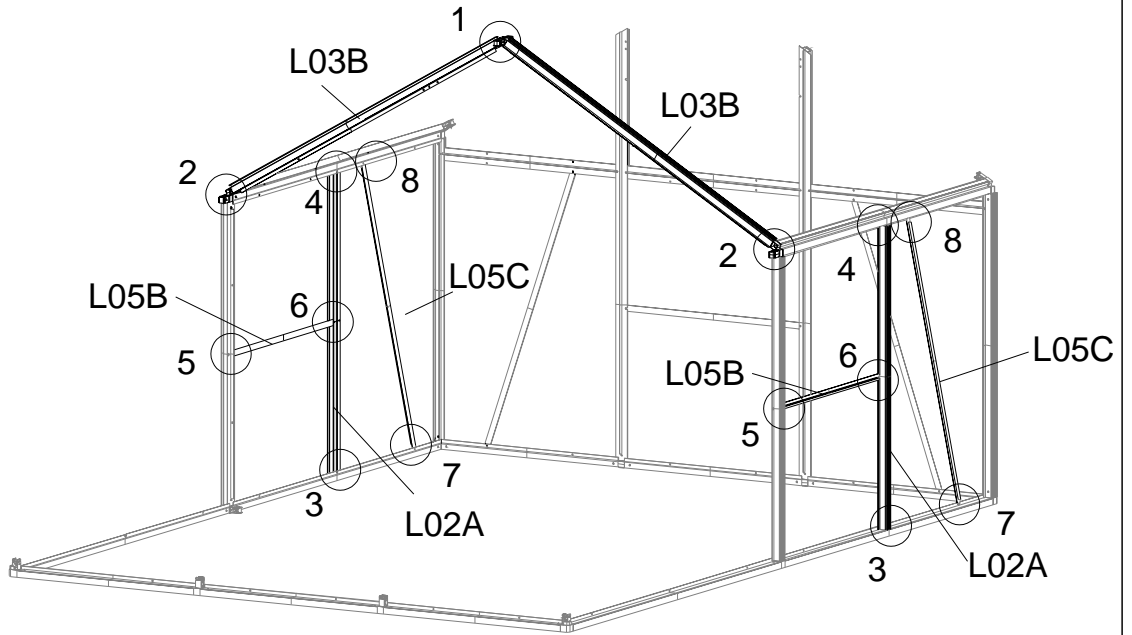
PART	NO.	QTY.
	L04B	3
	L05A	2
	L05B	1
	Y2	3
	S05	12
	M6X12	
	M03	12
	M6	



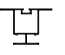











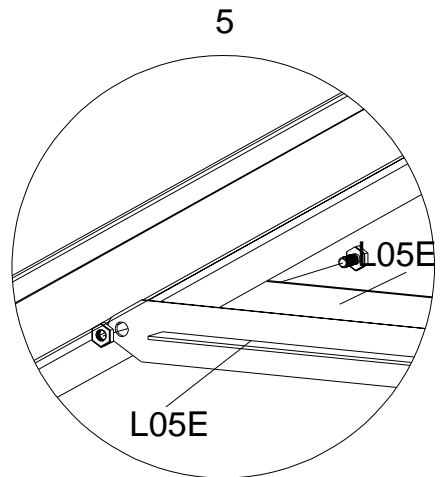
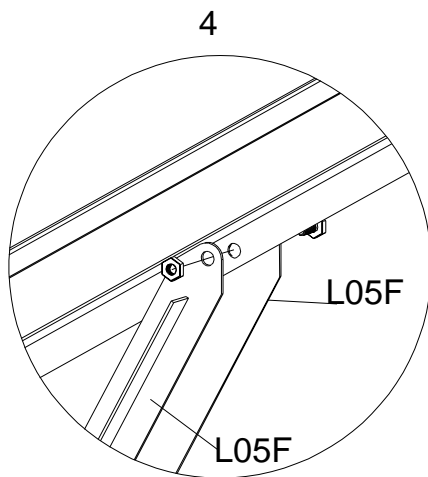
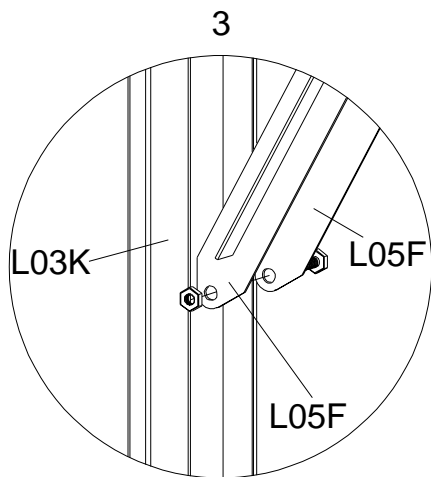
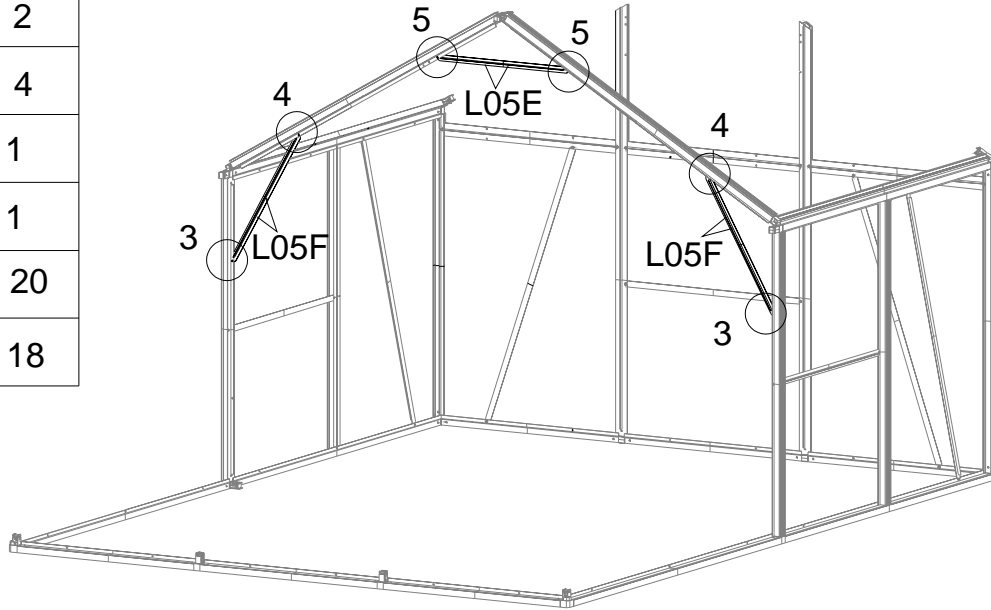
Slide 2xS05 into each L04B and tighten them at each end.

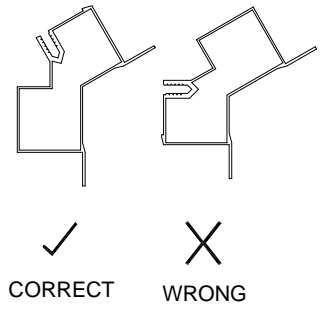
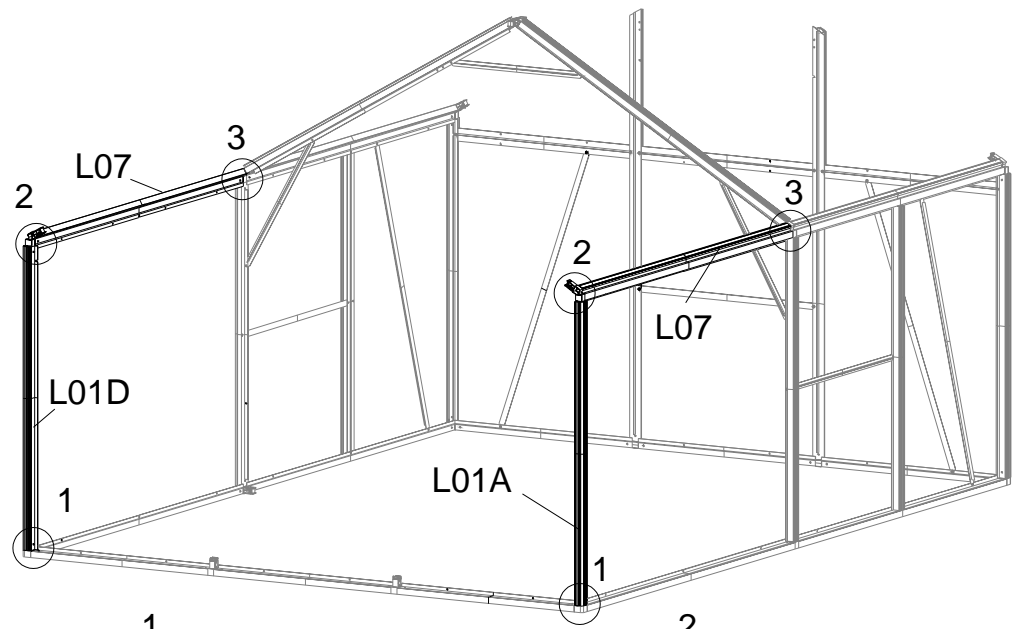


PART	NO.	QTY.
	L02A	2
	L03B	2
	L05B	2
	L05C	2
	A13	1
	S05 M6X12	14
	M03 M6	12

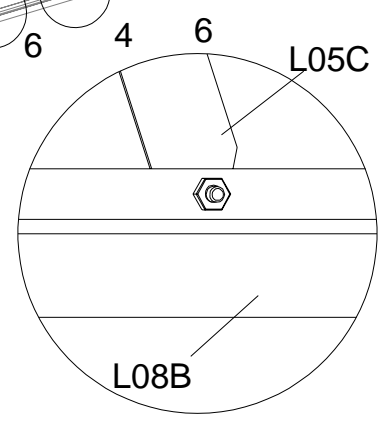
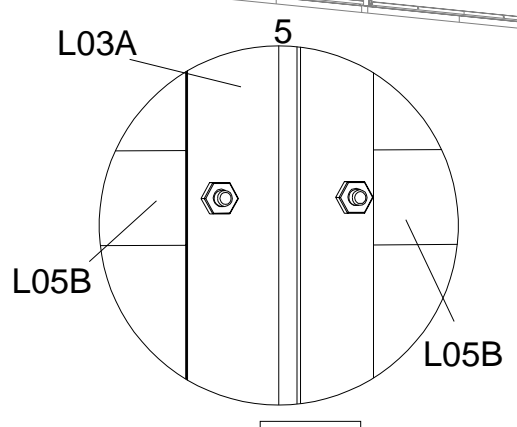
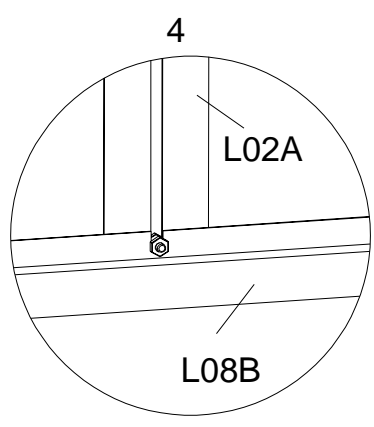
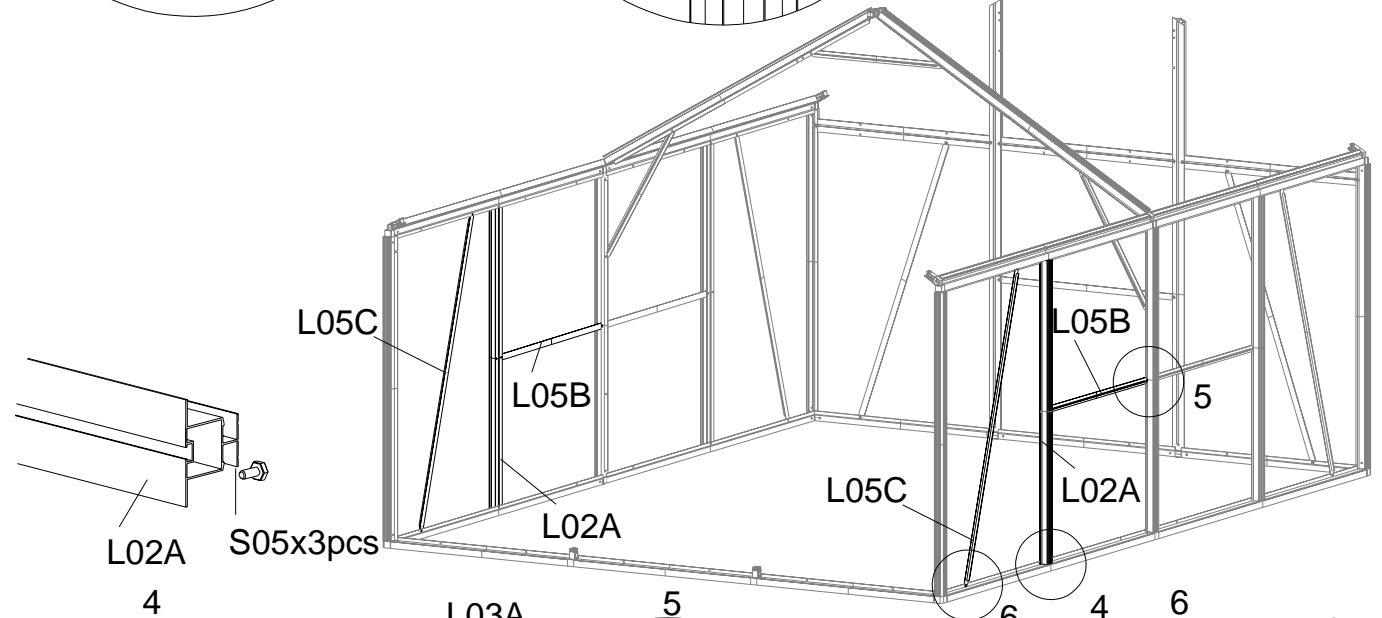
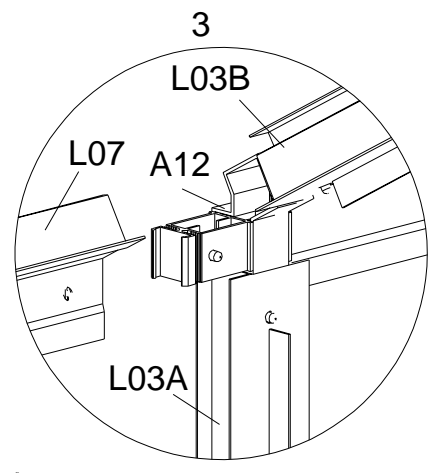
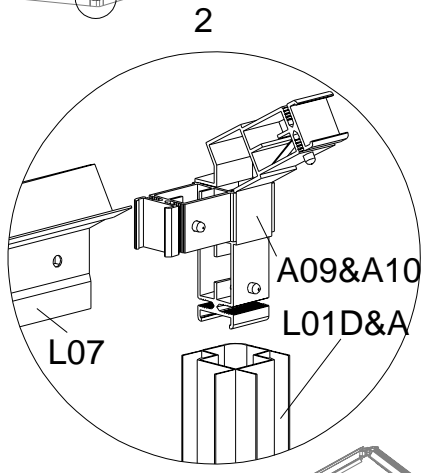
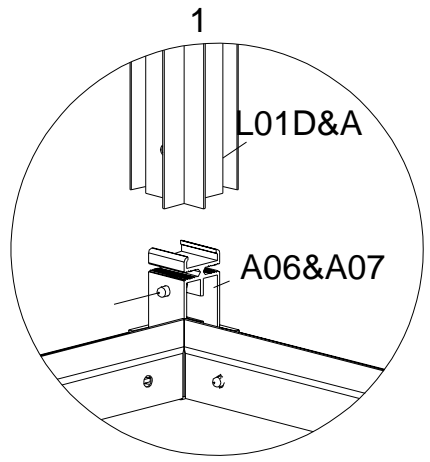


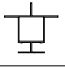
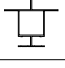

PART	NO.	QTY.
	L01A	1
	L01D	1
	L02A	2
	L07	2
	L05B	2
	L05C	2
	L05E	2
	L05F	4
	A09	1
	A10	1
	S05	20
	M6X12	
	M03	18
	M6	

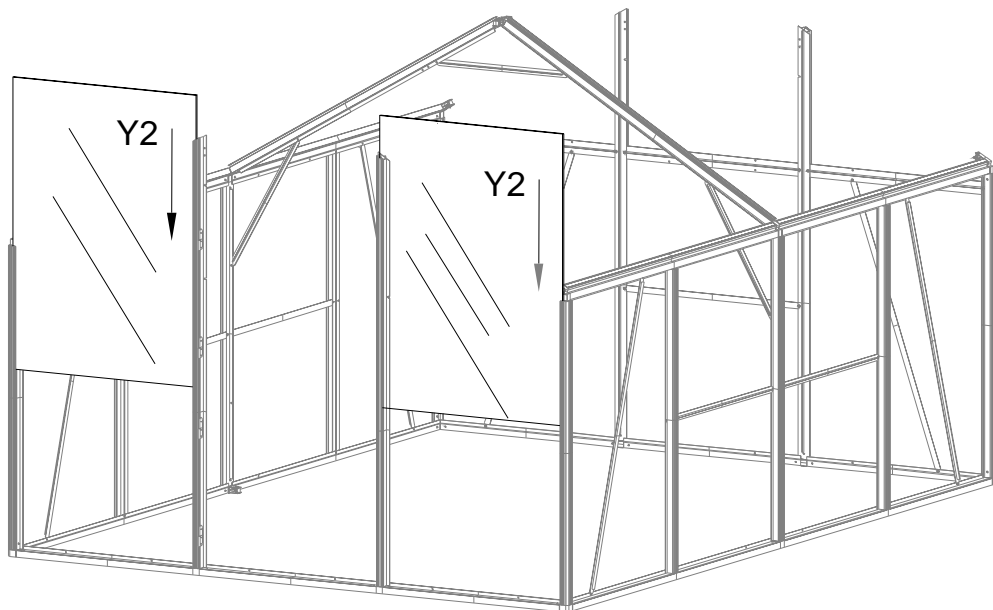
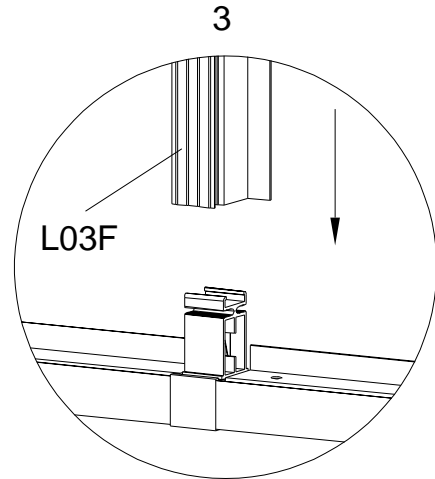
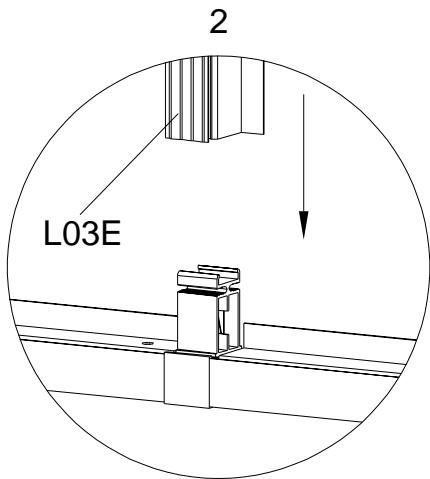
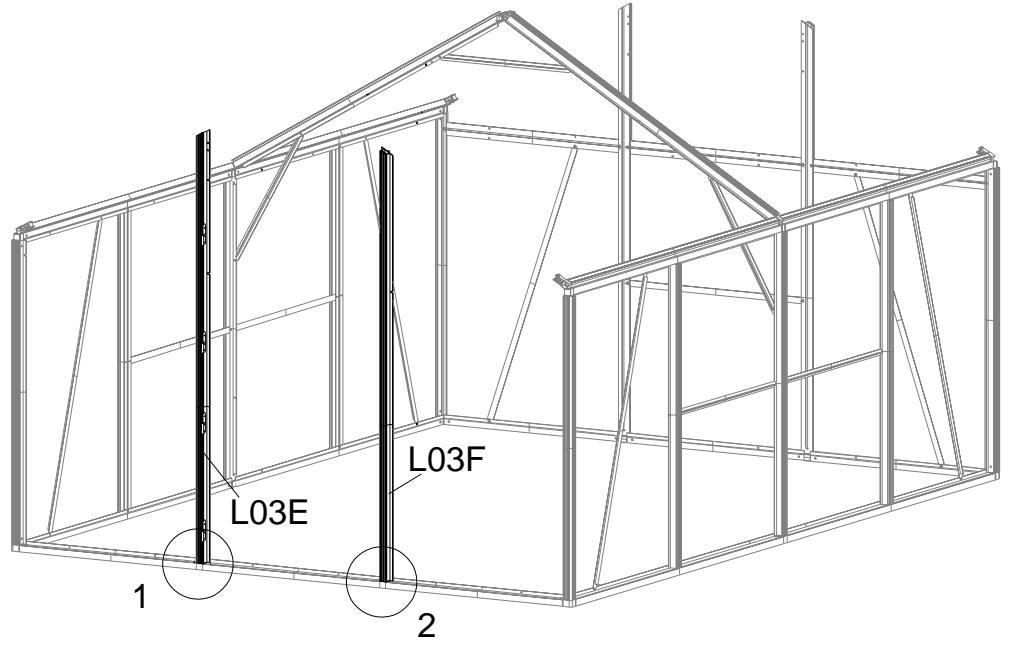



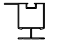
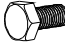



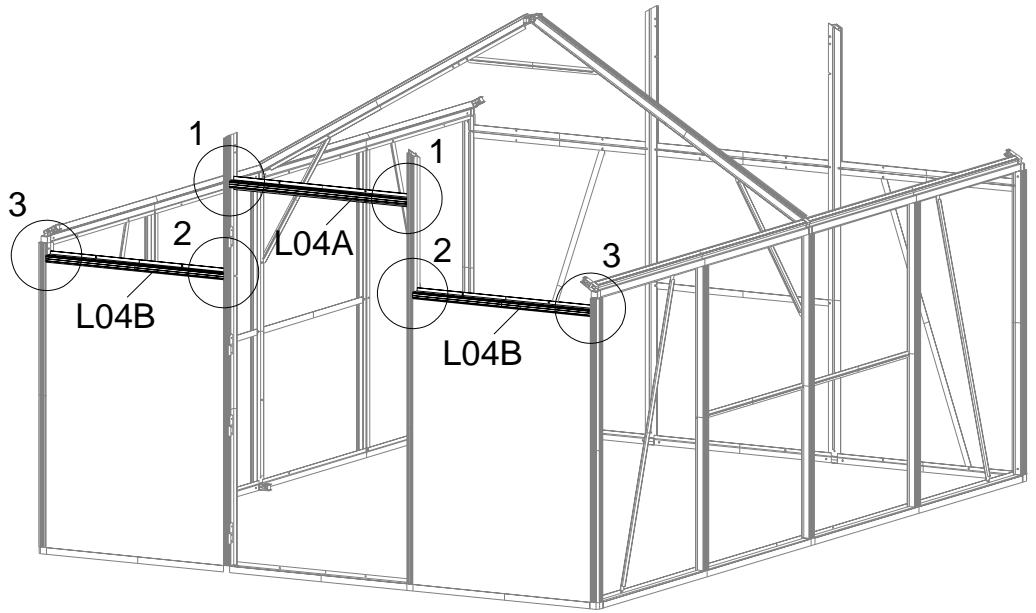
Ensure orientation of the L07 profile is correct as per detail.



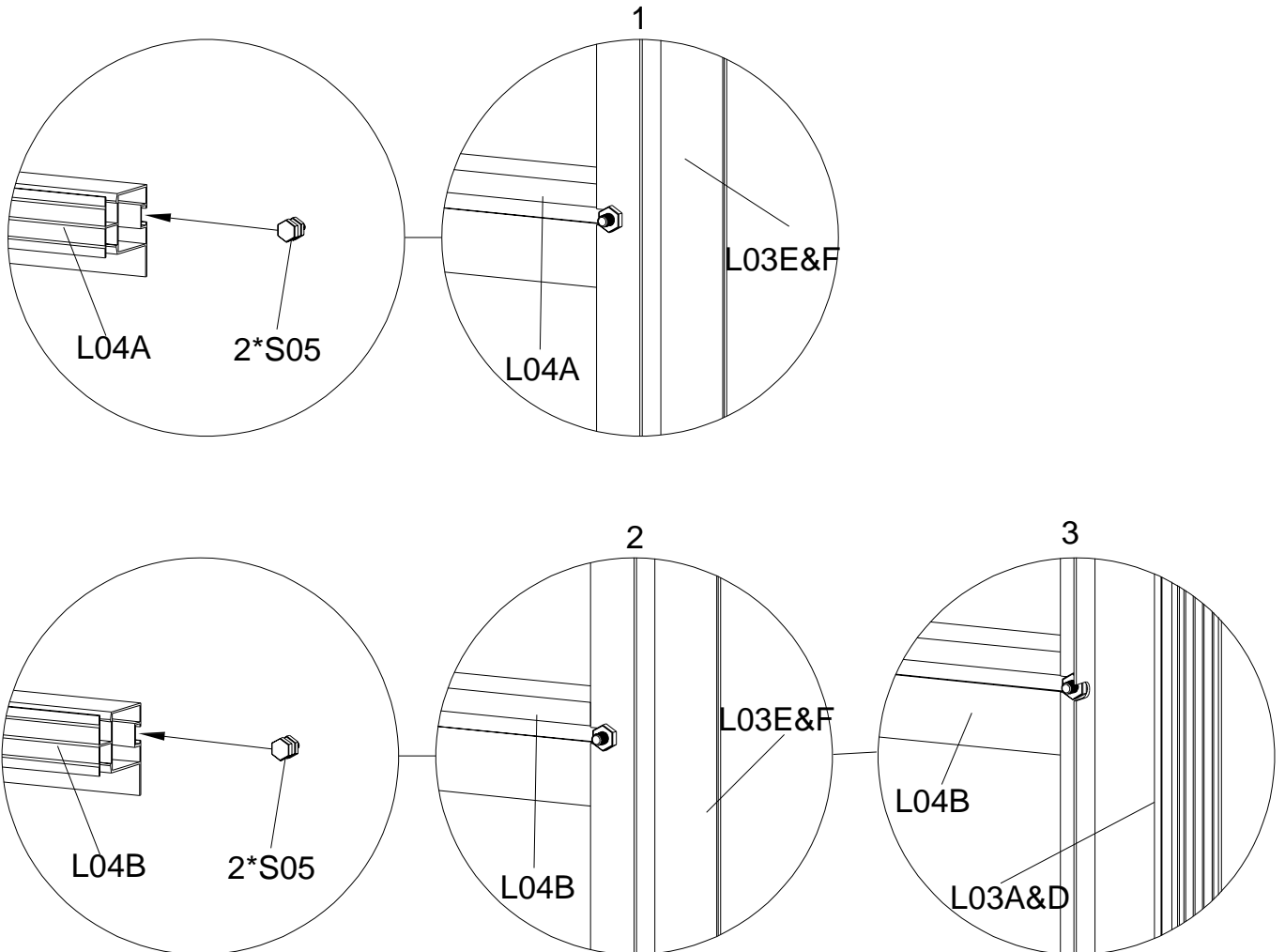
PART	NO.	QTY.
	L03E	1
	L03F	1
	Y2	2



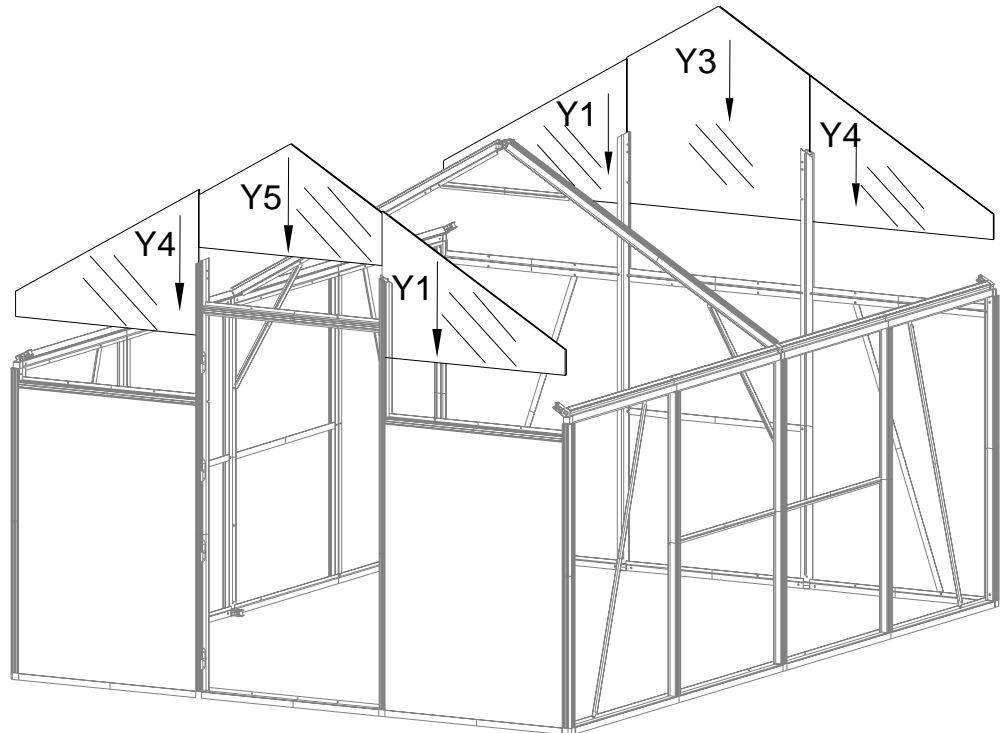
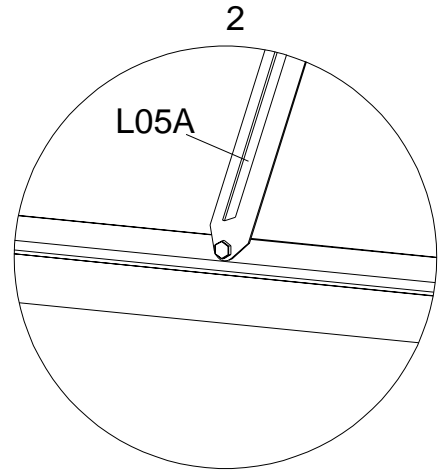
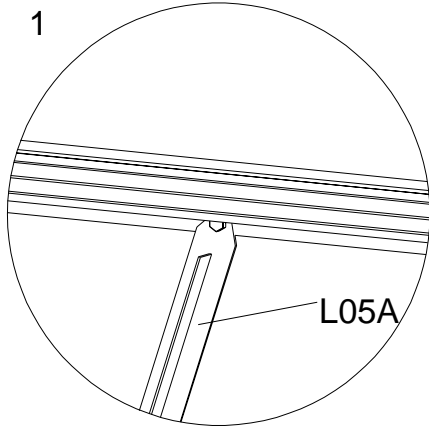
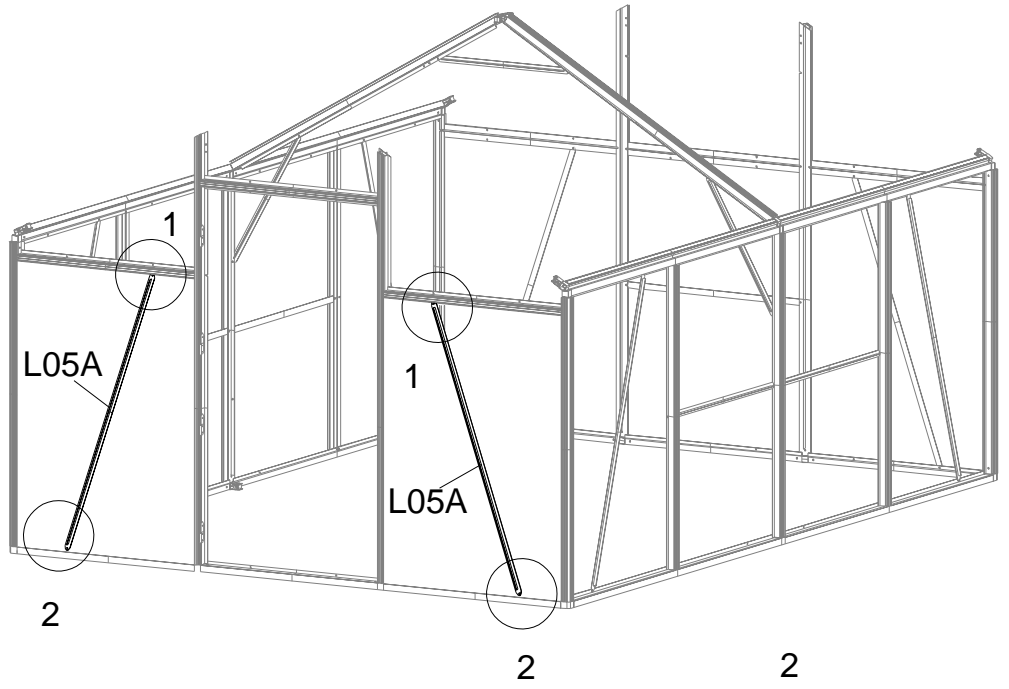
PART	NO.	QTY.
	L04A	1
	L04B	2
	S05	6
	M6X12	
	M03	6
	M6	






Slide 2xS05 into each L04A & B and tighten them at each end.

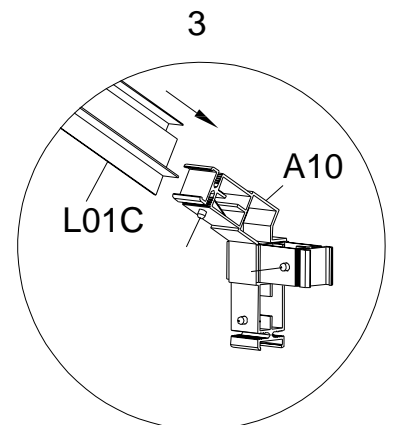
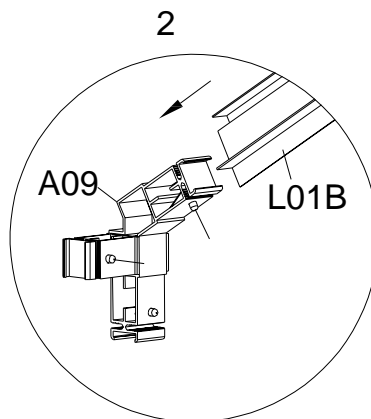
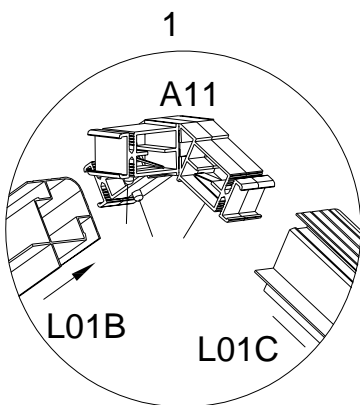
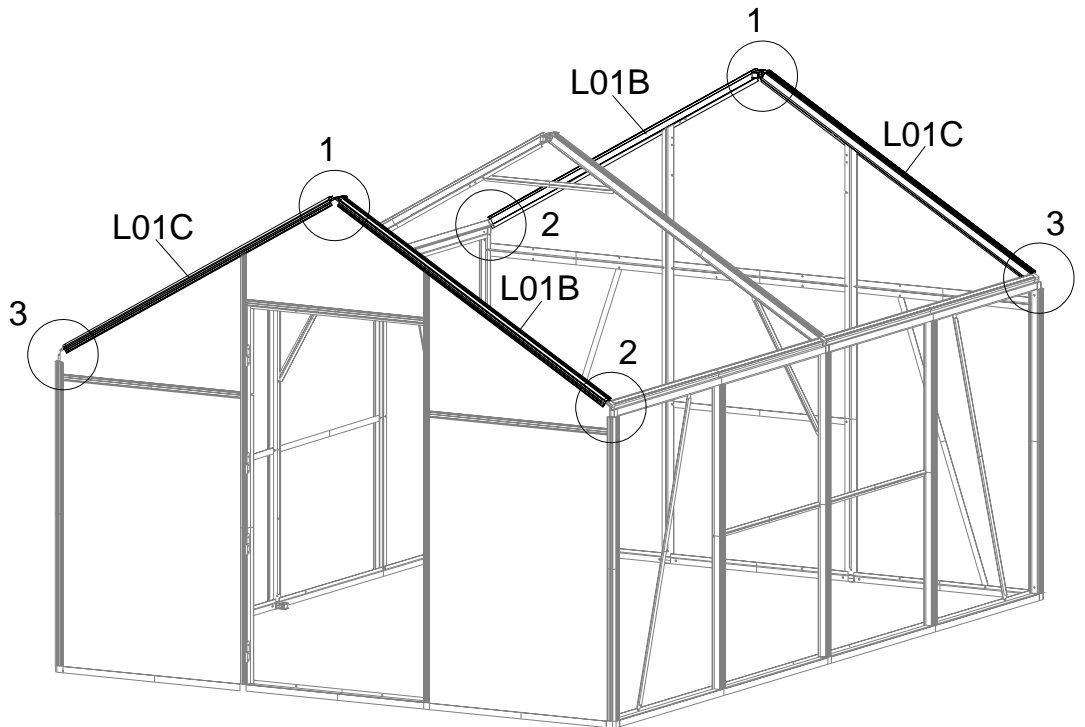





PART	NO.	QTY.
	L05A	2
	Y1	2
	Y3	1
	Y4	2
	Y5	1
	S05	4
	M6X12	
	M03	4
	M6	

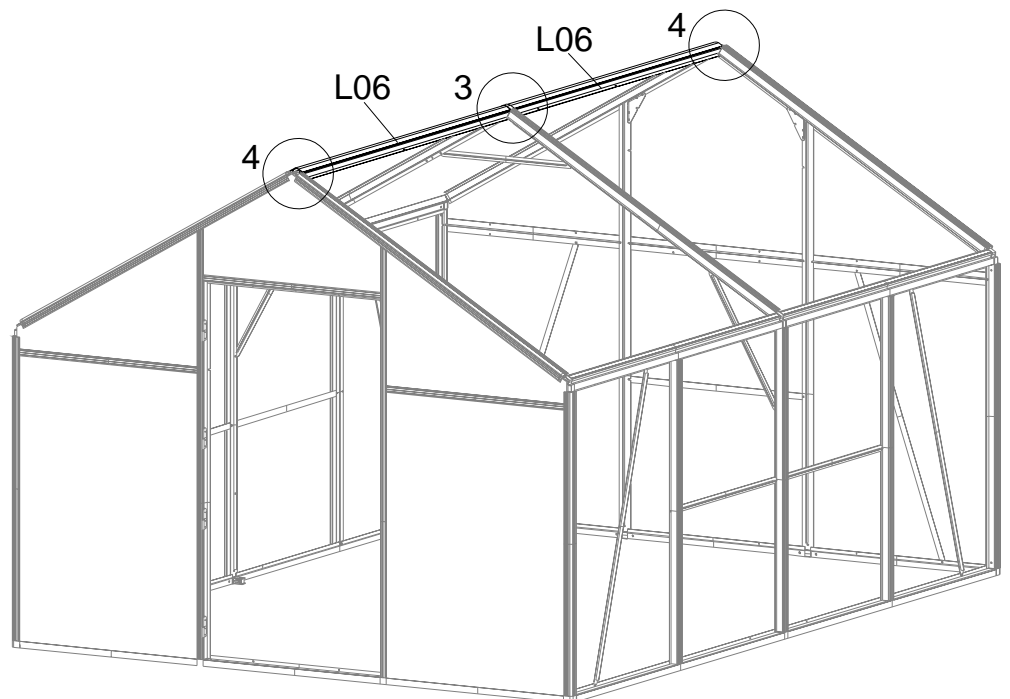
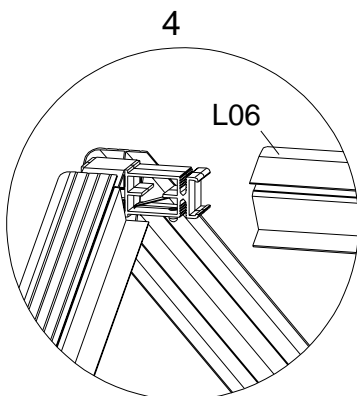
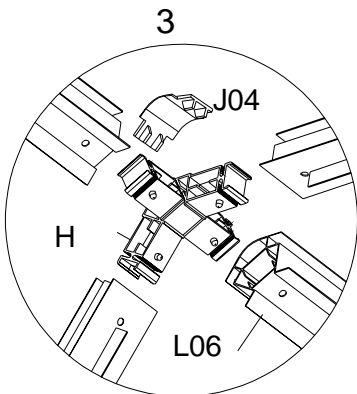
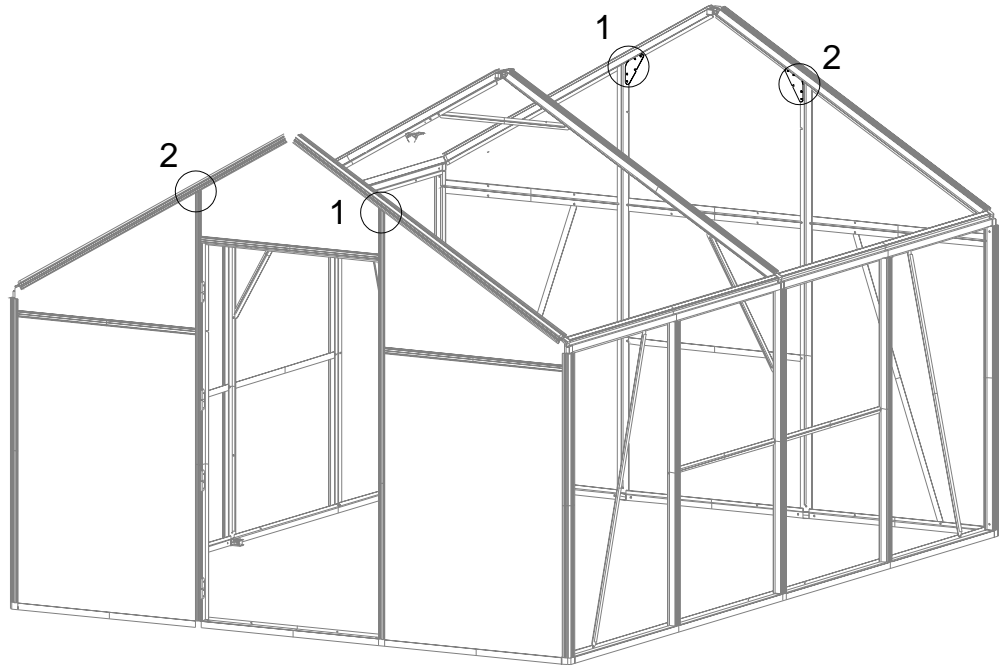
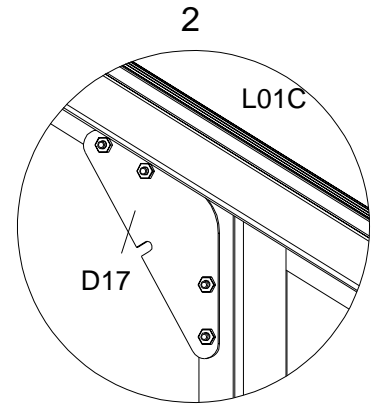
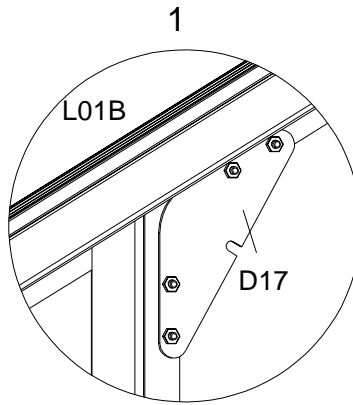


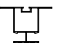
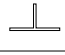
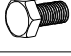

PART	NO.	QTY.
	L01B	2
	L01C	2
	A11	2

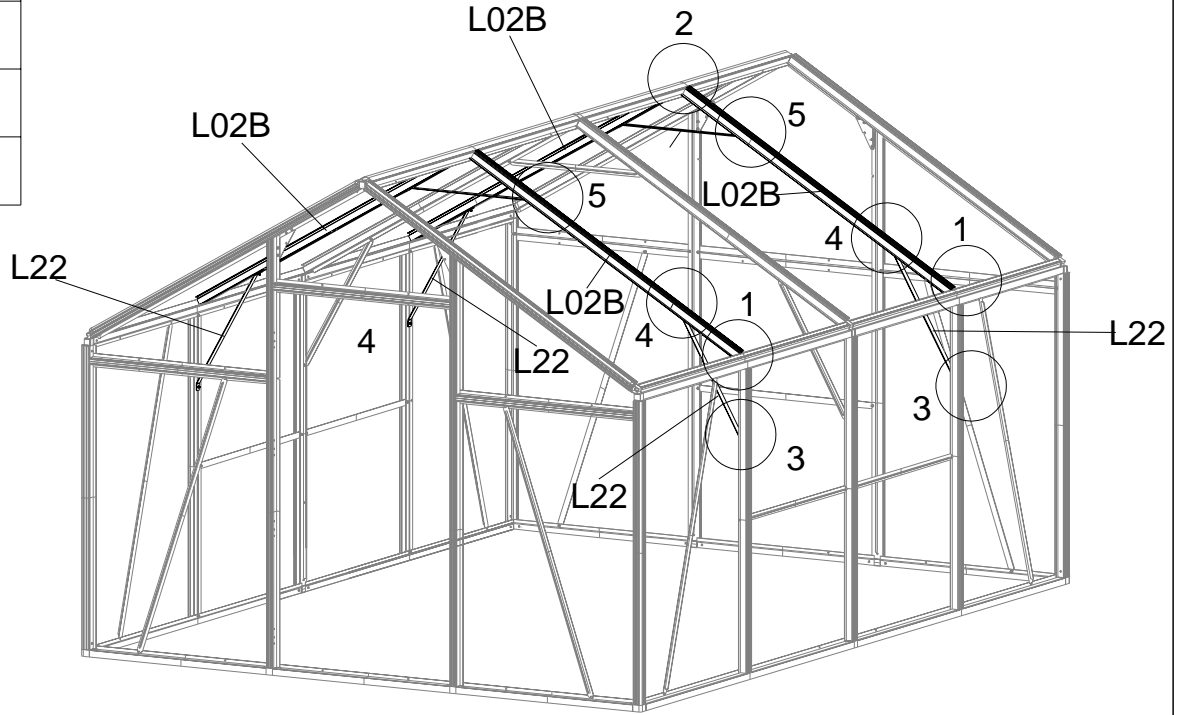
Note: please insert upper roof supports but do not lock in place until you have aligned the polycarbonate inserts.



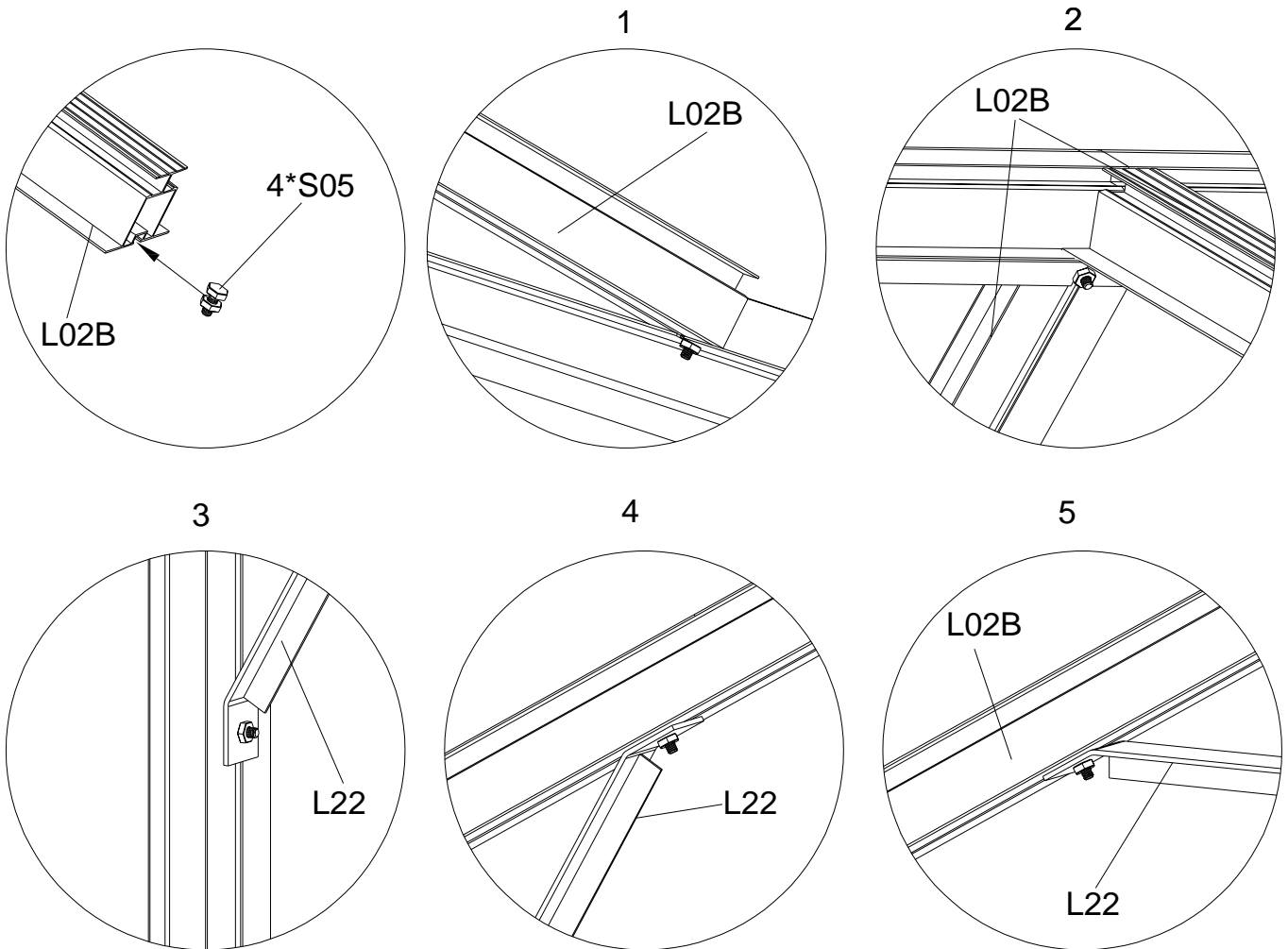
PART	NO.	QTY.
	L06	2
	D17	4
	J04	1











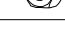



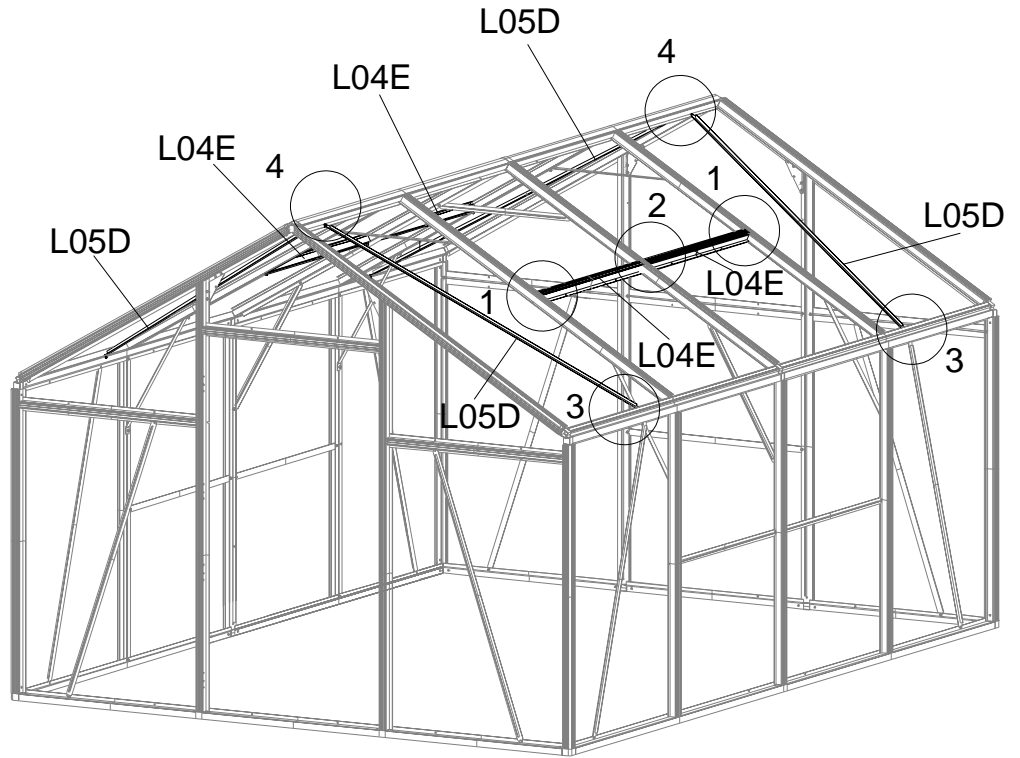
PART	NO.	QTY.
	L02B	4
	L22	6
	S05	16
	M6X12	
	M03	20
	M6	



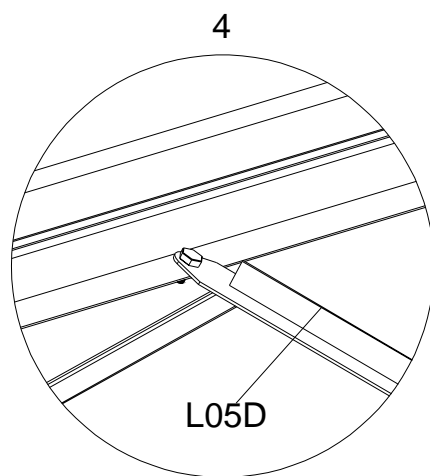
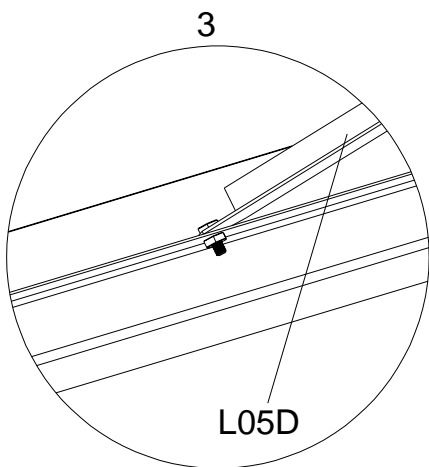
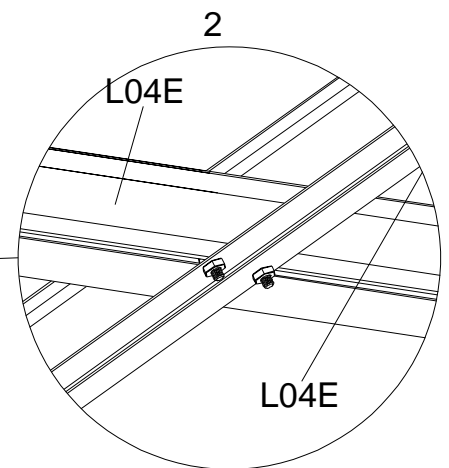
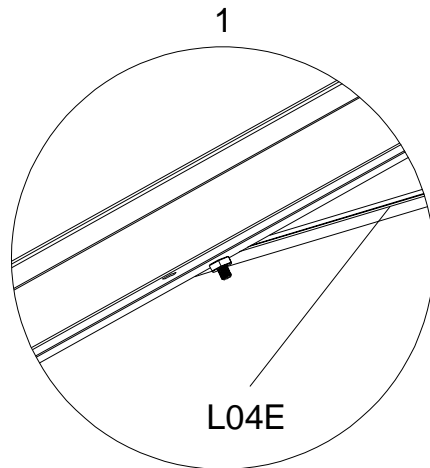
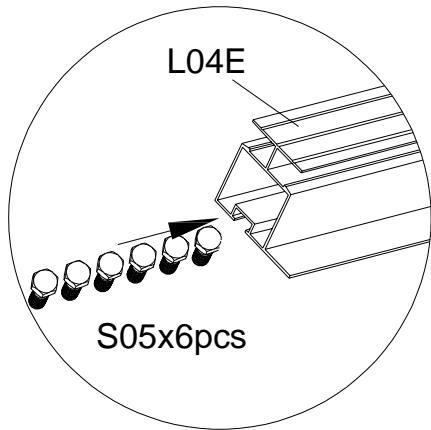
Slide 4xS05 into each L02B and tighten them at each end.



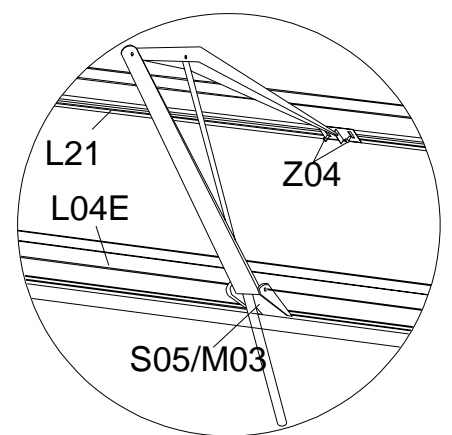
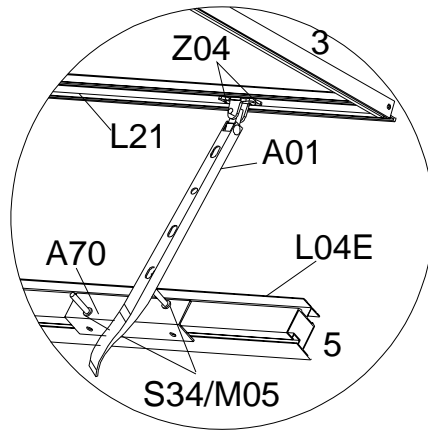
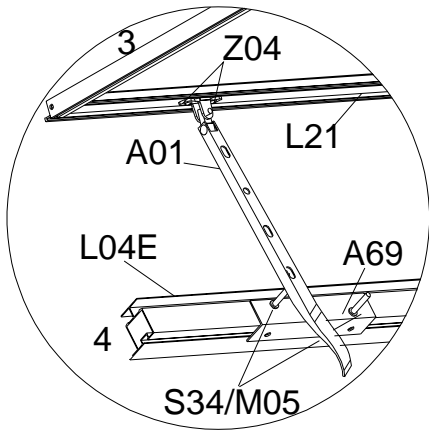
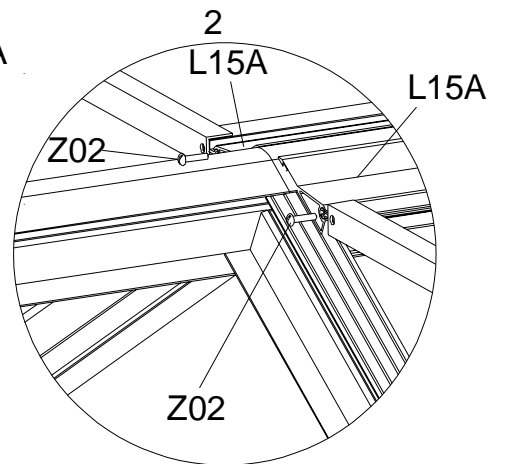
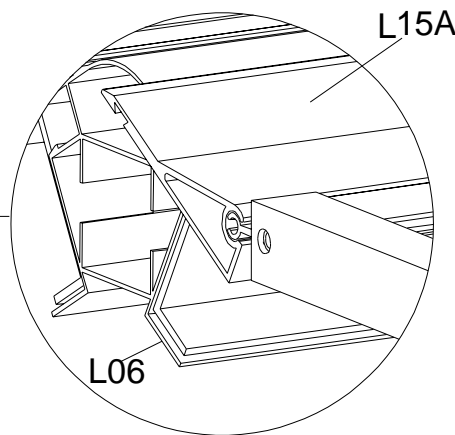
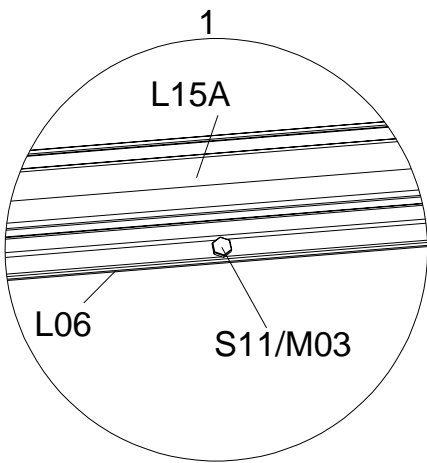
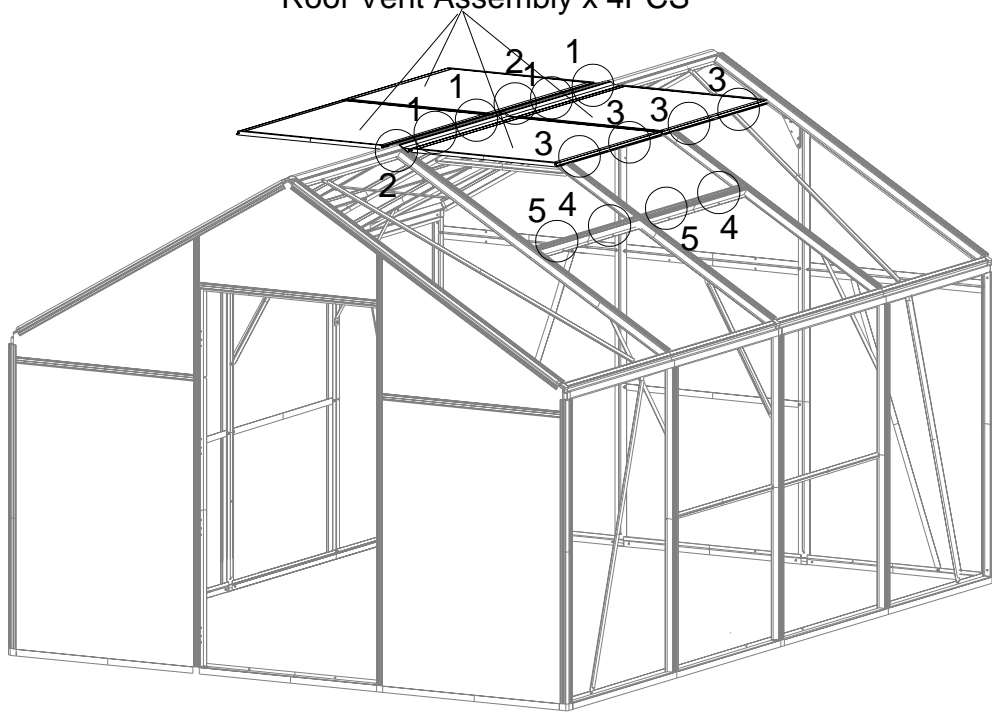
PART	NO.	QTY.
	Roof Vent Assembly	4
	L04E	4
	L05D	4
	A01	8
	A69	4
	A70	4
	S05	32
	M6X12	
	S11	8
	M6X20	
	M03	40
	M6	






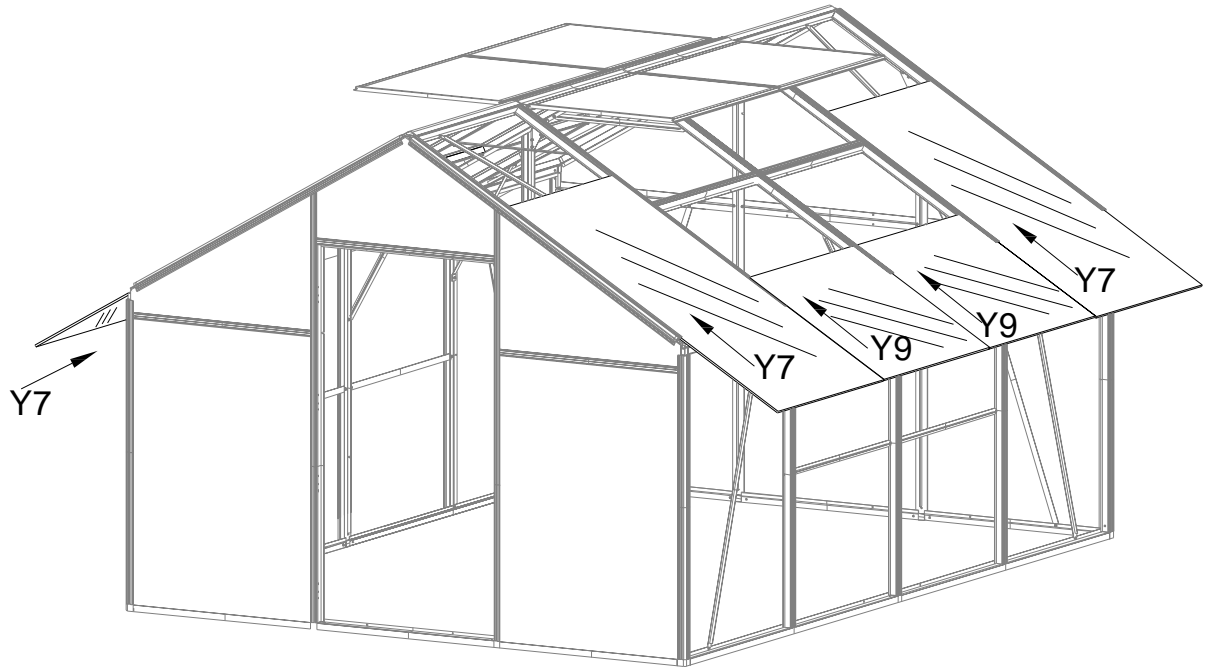
Pay attention to the cut edge of L04E which should be fixed, facing up.



Roof Vent Assembly x 4PCS

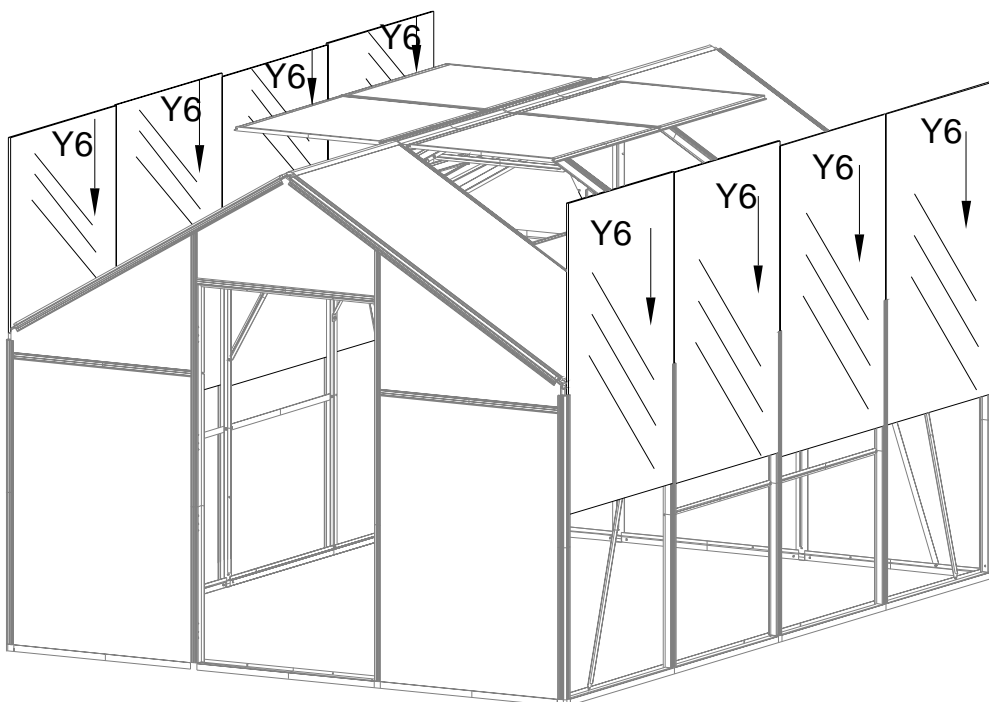


PART	NO.	QTY.
	Y6	8
	Y7	4
	Y9	4





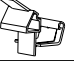



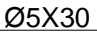
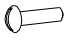
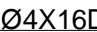


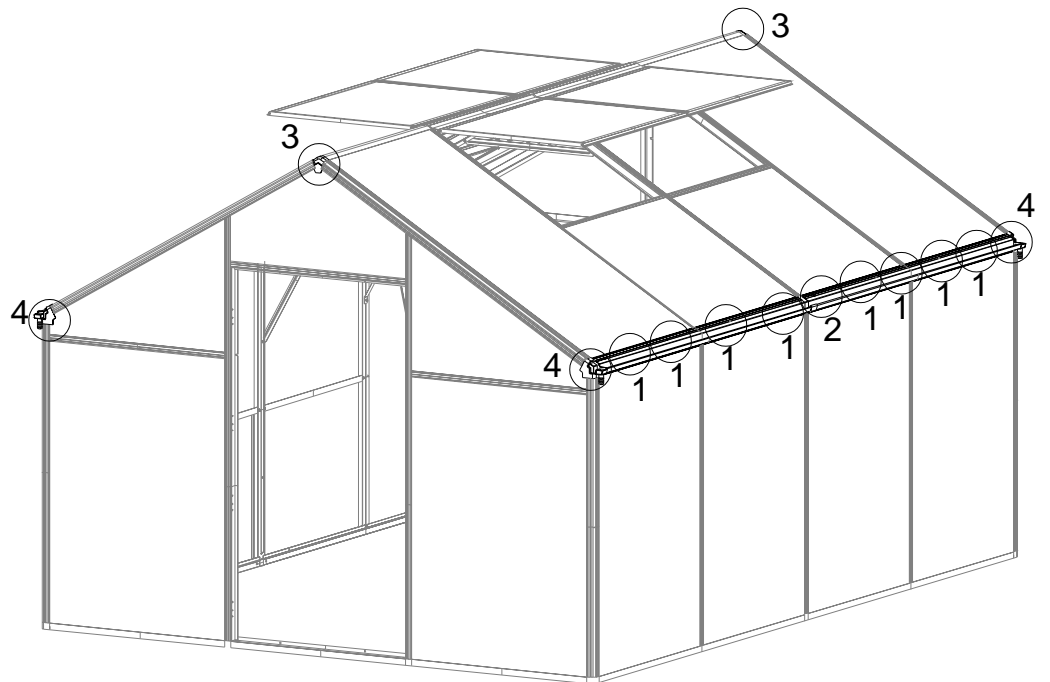
Insert all Y7 & Y9 panels into each roof of greenhouse.

Note: If it is difficult sliding any panels in the channels, using soapy water or olive oil in the channels can reduce the friction.

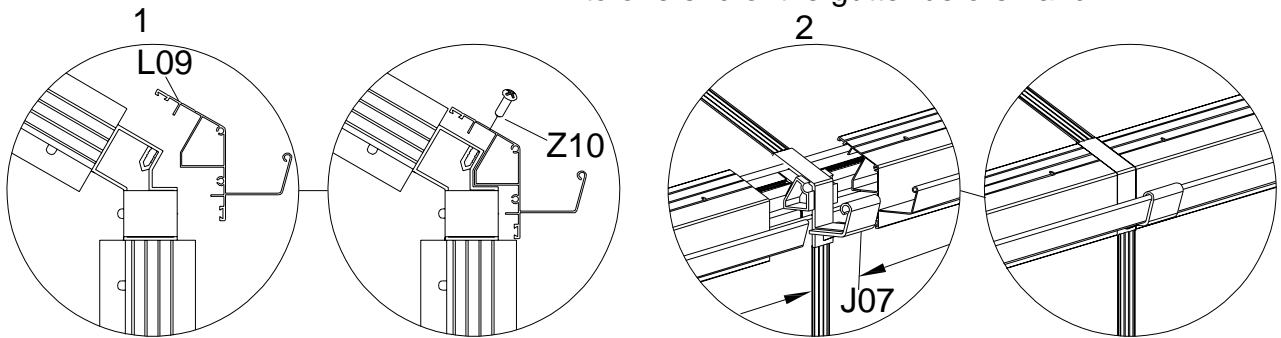


Insert all Y6 panels into each side of greenhouse.

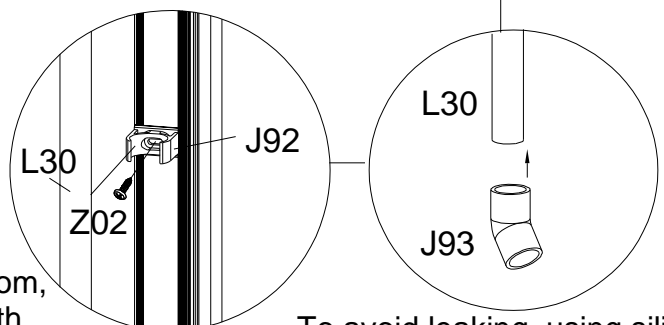
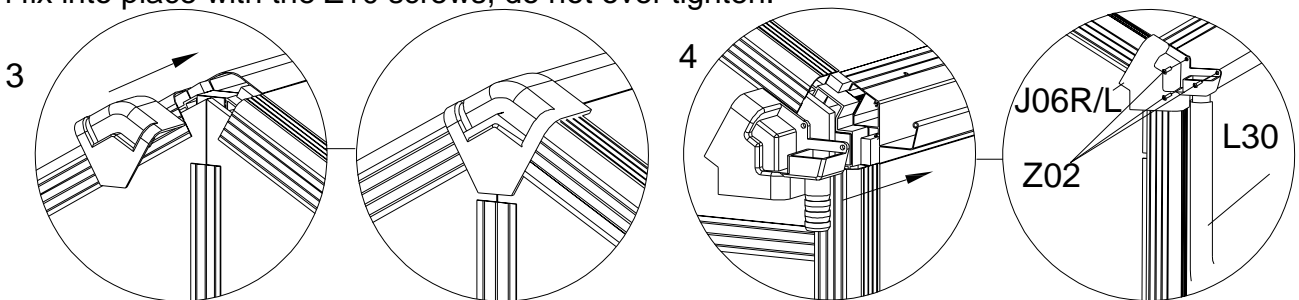
PART	NO.	QTY.
	L09	4
	L30	4
	J02	2
	J06R/L	2/2
	J07	2
	J93	4
	J92	4
	Z10	16
	Ø5X30	
	Z02	24
	Ø4X16D	



When installing the J07 and the second section of gutter, it can help if you have 2 people, one guiding the gutter into the J07 and the other gently tapping the end of the gutter with a rubber mallet. It can help to install the J07 into one end of the gutter before hand.

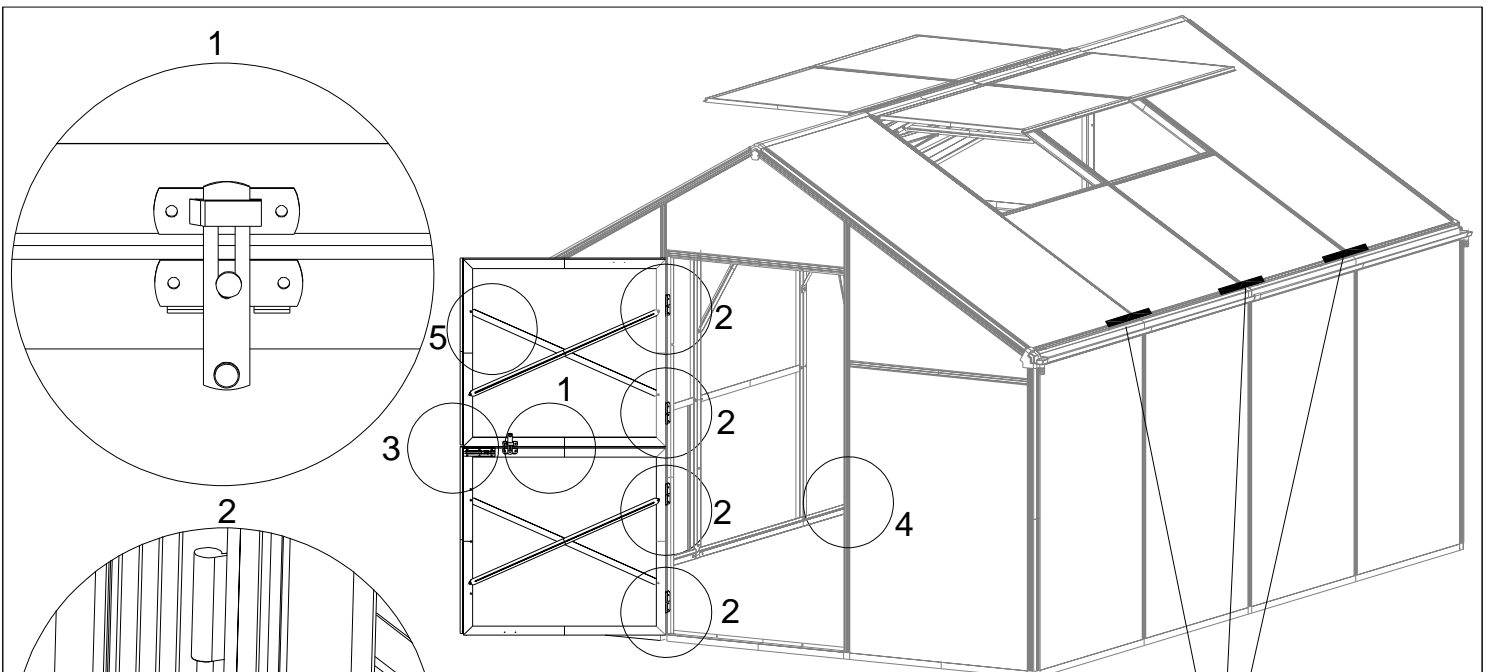


Install the L09 gutter profile over the edges of the panels, ensuring the rubber strip seals against the panels. Then fix into place with the Z10 screws, do not over tighten.

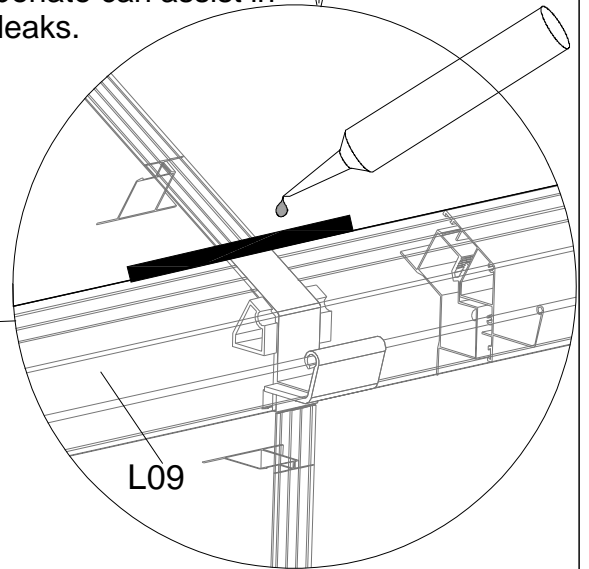
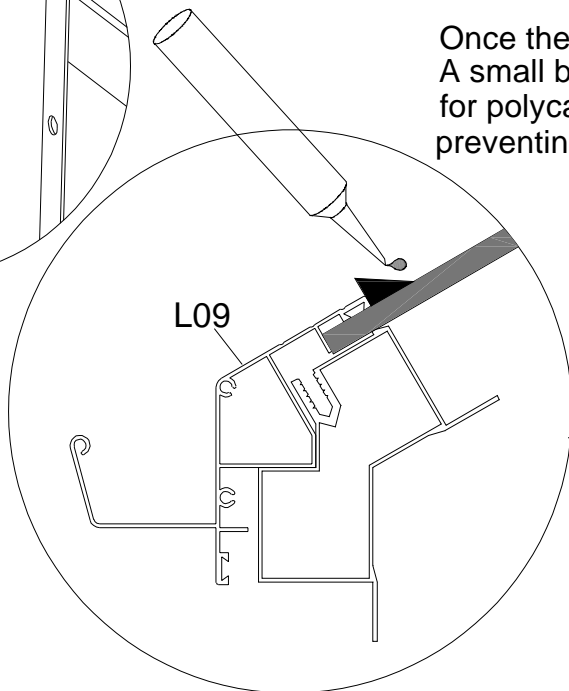
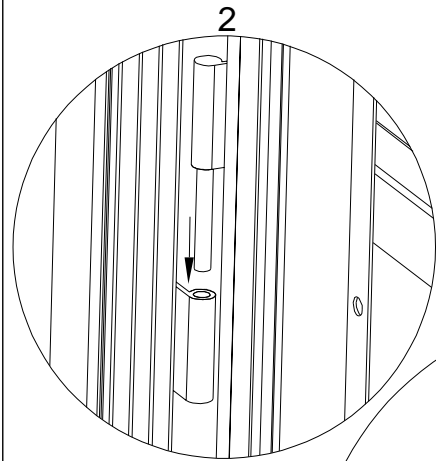


Drill one hole on both L01A & D approx 500mm up from the bottom, Dia. 2.5mm, then tighten J92 with Z02, and push L30 into the channel of J92 (see Fig. above).

To avoid leaking, using silicone on J06R / L, L30 and J93 is an option (see Fig. above).



Once the L09 is in place.
A small bead of silicon suitable
for polycarbonate can assist in
preventing leaks.



To install the doors, simply slide the hinge pins on the doors into the corresponding hinge sleeves on the greenhouse. The latch shown in image 1 joins the two sections of the doors together.

To make minor height adjustments you can remove or add the spacers provided on the pin section of the hinge.

You can also adjust the squareness of the doors by loosening the diagonal braces, then holding pressure in the direction you may want to adjust the door and then tighten the braces.

