

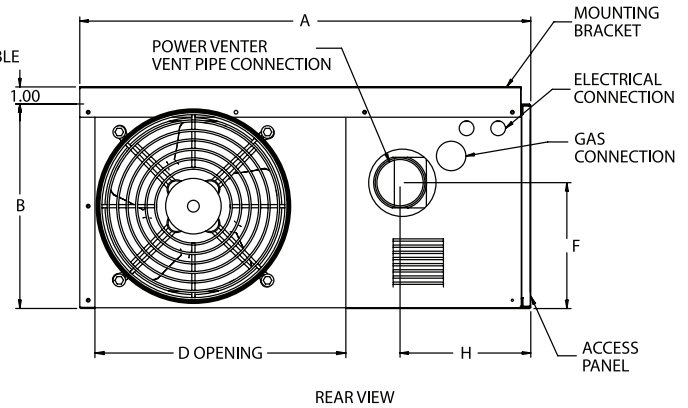
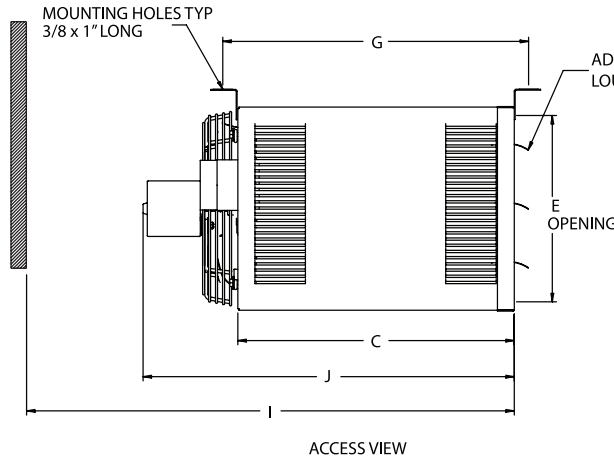


Intertek
Certified for Residential
and Commercial Use

SUBMITTAL DATA

power vented gas-fired unit heaters

model HD



Performance

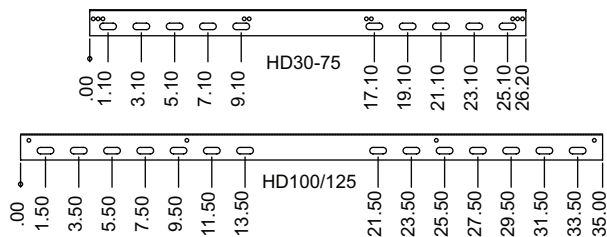
Models	HD30	HD45	HD60	HD75	HD100	HD125
Btu/Hr Input	30,000	45,000	60,000	75,000	100,000	125,000
Btu/Hr Output	24,600	36,900	49,200	61,500	82,000	10,500
Entering Airflow (CFM)	505	720	990	1,160	1,490	1,980
Outlet Velocity	523	749	653	769	565	747
Air Temp. Rise (°F)	44	46	45	48	50	47
Mounting Height (Max ft.)	10	10	12	14	12	16
Heat Throw (ft.)	25	27	36	38	42	56
Motor Data	Horsepower	1/15	1/15	1/12	1/12	1/8
	RPM	1,550	1,550	1,625	1,625	1,050
	Type	S.P.	S.P.	P.S.C.	P.S.C.	S.P.
	Amps	2.4	2.4	1.2	1.2	2.7
Unit Total Amps	4.2	4.2	3.75	3.75	4.7	4.2
Vent Connector Size (in.)	3	3	3	3	4	4

Dimensions (inches)

Models	HD30	HD45	HD60	HD75	HD100/125
A	26.8	26.8	26.8	26.8	35.5
B	12.2	12.2	18.0	18.0	20.5
C	16.5	16.5	16.5	16.5	22.0
D	14.9	14.9	14.9	14.9	22.5
E	10.1	10.1	15.9	15.9	18.4
F	7.5	7.5	10.7	10.7	14.0
G	18.5	18.5	18.5	18.5	24.0
H	7.6	7.6	7.8	7.8	8.4
Gas Connection	1/2	1/2	1/2	1/2	1/2
I	34.5	34.5	34.5	34.5	43.0
J	22	22	25	25	31.0
Fan Diameter	10	10	14	14	18.0
Approx. Shipping Weight (lbs.)	55	60	80	85	125

Mounting

1" - angle, mounting brackets are slotted to accommodate joists on 16" or 24" centerlines.



Clearances

Unit Side	Clearance To Combustible Materials	Recommended Service Clearance
Top and Bottom	1"	18"
Access Side	18"	18"
Non-Access Side	1"	18"
Rear	18"	18"
Vent Connector	4"	18"

Control Options

Control Description	Control Code No.	Service Voltage	Thermostat Voltage	Type of Gas	Model Size
Single-Stage, Direct Spark Ignition, 100% Shut-Off with Continuous Retry - Utilizes a single-stage combination gas control with ignition control. Gas is lit with a direct spark igniter on call for heat.	11	115V	24V	natural	30-125
	21	115V	24V	propane	30-125
Two-Stage, Direct Spark Ignition, 100% Shut-Off with Continuous Retry - Utilizes a two-stage combination gas control with built-in ignition control. Firing rate is 100% and 50% of full rated input. Gas is lit with a direct spark igniter on call for heat.③	12	115V	24V	natural	75-125
	22	115V	24V	propane	75-125